

# PLC ProTech Ltd.

Industrial Automation Components

## TECHNICAL DOCUMENTATION

### SYSTEM INTEGRATION & REPLACEMENT SUPPORT GUIDE

---

PLC ProTech Ltd. stands at the intersection of complex industrial challenges and high-performance solutions. As a premier global supplier, we specialize in delivering 100% Brand New, factory-sealed components from world-leading brands including ABB, GE, and Honeywell. We maintain an extensive inventory of hard-to-find and discontinued PLC/DCS modules, offering Same-Day Dispatch to over 150 countries. Backed by a 12-month warranty, we empower your operations with technical integrity and peace of mind.

[GET INSTANT QUOTE & INVENTORY STATUS >>](#)

# 3300 XL 8mm Proximity Transducer System

## Bently Nevada\* Asset Condition Monitoring

### Description

The 3300 XL 8 mm Proximity Transducer System consists of:

- One 3300 XL 8 mm probe,
- One 3300 XL extension cable<sup>1</sup>, and
- One 3300 XL Proximitor\* Sensor<sup>2</sup>.



The system provides an output voltage that is directly proportional to the distance between the probe tip and the observed conductive surface and can measure both static (position) and dynamic (vibration) values. The system's primary applications are vibration and position measurements on fluid-film bearing machines, as well as Keyphasor\* reference and speed measurements<sup>3</sup>.

The 3300 XL 8 mm system delivers the most advanced performance in our eddy current proximity transducer systems. The standard 3300 XL 8 mm 5-metre system also fully complies with the American Petroleum Institute's (API) 670 Standard (4<sup>th</sup> Edition) for mechanical configuration, linear range, accuracy, and temperature stability. All 3300 XL 8 mm proximity transducer systems provide this level of performance and support complete interchangeability of probes, extension cables, and Proximitor sensors, eliminating the need to match or bench calibrate individual components

Each 3300 XL 8 mm Transducer System component is backward-compatible and interchangeable<sup>4</sup> with other non-XL 3300 series 5 mm and 8 mm transducer system components<sup>5</sup>. This compatibility includes the 3300 5 mm probe, for applications in which an 8 mm probe is too large for the available mounting space<sup>6,7</sup>.

### Proximitor Sensor

The 3300 XL Proximitor Sensor incorporates numerous improvements over previous designs. Its physical packaging allows you to use it in high-density DIN-rail installations. You can also mount the sensor in a traditional panel mount configuration, where it shares an identical 4-hole mounting "footprint" with older Proximitor Sensor designs. The mounting base for either option provides electrical isolation and eliminates the need for separate isolator plates. The 3300 XL Proximitor Sensor is highly immune to radio frequency interference, allowing you to install it in fiberglass housings without adverse effects from nearby radio frequency signals. The 3300 XL Proximitor Sensor's improved RFI/EMI immunity satisfies European CE mark approvals without requiring special shielded conduit or metallic housings, resulting in lower installation costs and complexity.

The 3300 XL's SpringLoc terminal strips require no special installation tools and facilitate faster, more robust field wiring connections by eliminating screw-type clamping mechanisms that can loosen.



Specifications and Ordering Information  
Part Number 141194-01  
Rev. Y (10/15)

Page 1 of 35

### Proximity Probe and Extension Cable

The 3300 XL probe and extension cable also reflect improvements over previous designs. A patented TipLoc\* molding method provides a more robust bond between the probe tip and the probe body. The probe's cable incorporates a patented CableLoc\* design that provides 330 N (75 lbf) pull strength to more securely attach the probe cable and probe tip.

You can also order 3300 XL 8 mm probes and extension cables with an optional FluidLoc\* cable option. This option prevents oil and other liquids from leaking out of the machine through the cable's interior.

### Connectors

The 3300 XL probe, extension cable, and Proximitor sensor have corrosion-resistant, gold-plated ClickLoc\* connectors. These connectors require only finger-tight torque (the connectors will "click" when tight), and the specially-engineered locking mechanism prevents the connectors from loosening. These connectors require no special tools for installation or removal.

You can order the 3300 XL 8 mm probes and extension cables with connector protectors already installed. We can also supply connector protectors separately for field installations (such as when an application must run the cable through restrictive conduit). We recommend connector protectors for all installations to provide increased environmental protection<sup>8</sup>.

### Extended Temperature Range Applications

An extended temperature range (ETR) probe and ETR extension cable are available for applications in which either the probe lead or extension cable may exceed the standard 177 °C (350 °F) temperature specification. The ETR probe has an extended temperature rating for up to 218 °C (425 °F). The ETR extension cable rating is up to 260 °C (500 °F). Both the ETR probe and cable are compatible with standard temperature probes and cables, for example, you can utilize an ETR probe with the 330130 extension cable. The ETR system uses the standard 3300 XL Proximitor Sensor. Note that when you use any ETR component as part of your system, the ETR component limits the system accuracy to the accuracy of the ETR system.

### Description Notes:

1. One-metre systems do not use an extension cable.
2. Proximitor sensors are supplied by default from the factory calibrated to AISI 4140 steel. Calibration to other target materials is available upon request.
3. Consult Bently Nevada\* Applications Note, *Considerations when using Eddy Current Proximity Probes for Overspeed Protection Applications*, when considering this transducer system for tachometer or overspeed measurements.
4. 3300 XL 8 mm components are both electrically and physically interchangeable with non-XL 3300 5 mm and 8 mm components. Although the packaging of the 3300 XL Proximitor Sensor differs from its predecessor, its design fits in the same 4-hole mounting pattern when used with the 4-hole mounting base, and will fit within the same mounting space specifications (when minimum permissible cable bend radius is observed).
5. Mixing XL and non-XL 3300-series 5 mm and 8 mm system components limits system performance to the specifications for the non-XL 3300 5 mm and 8 mm Transducer System.
6. The 3300-series 5 mm probe (refer to Specifications and Ordering Information p/n 141605-01) uses smaller physical packaging, but does not reduce the side view clearances or tip-to-tip spacing requirements as compared to an 8 mm probe. It is used when physical (not electrical) constraints preclude the use of an 8 mm probe. When your application requires narrow side view probes, use the 3300 NSv\* Proximity Transducer System (refer to Specifications and Ordering Information p/n 147385-01).
7. 8 mm probes provide a thicker encapsulation of the probe coil in the molded PPS plastic probe tip. This results in a more rugged probe. The larger diameter of the probe body also provides a stronger, more robust case. We recommend that you use 8 mm probes when possible to provide optimal robustness against physical abuse.
8. Each 3300 XL extension cable includes silicone tape that you can use instead of connector protectors. We do not recommend silicone tape for applications that will expose the probe-to-extension cable connection to turbine oil.

## Specifications

Unless otherwise noted, the following specifications are for a 3300 XL 8 mm Proximitor Sensor, extension cable and 8 mm probe between +18 °C and +27 °C (+64 °F to +80 °F), with a -24 Vdc power supply, a 10 kΩ load, an AISI 4140 steel target, and a probe gapped at 1.27 mm (50 mils). Performance characteristics apply to systems that consist solely of 3300 XL 8 mm components. The system accuracy and interchangeability specifications do not apply to transducer systems that are calibrated to any target other than our AISI 4140 steel target.

### Electrical

#### Proximitor Sensor Input

Accepts one non-contacting 3300-series 5 mm, 3300 8 mm or 3300 XL 8 mm Proximity Probe and Extension Cable.

#### Power

Requires -17.5 Vdc to -26 Vdc without barriers at 12 mA maximum consumption, -23 Vdc to -26 Vdc with barriers. Operation at a more positive voltage than -23.5 Vdc can result in reduced linear range.

#### Supply Sensitivity

Less than 2 mV change in output voltage per volt change in input voltage.

#### Output Resistance

50 Ω

#### Nominal Probe DC Resistance

Resistance ( $R_{PROBE}$ ) from Center Conductor to Outer Conductor

Probe Length	$R_{PROBE}$ (Ω)
0.5	7.45 ± 0.50
1.0	7.59 ± 0.50
1.5	7.73 ± 0.50
2.0	7.88 ± 0.50
3.0	8.17 ± 0.60
5.0	8.73 ± 0.70
9.0	9.87 ± 0.90

#### Nominal Extension Cable DC Resistance

Resistance ( $R_{CORE}$ ) from Center Conductor to Center Conductor

Length of Extension Cable (m)	$R_{CORE}$ (Ω)
3.0	0.66 ± 0.10
3.5	0.77 ± 0.12
4.0	0.88 ± 0.13
4.5	0.99 ± 0.15
6.0	1.32 ± 0.21
7.0	1.54 ± 0.23
7.5	1.65 ± 0.25
8.0	1.76 ± 0.26
8.5	1.87 ± 0.28

Resistance ( $R_{JACKET}$ ) from Outer Conductor to Outer Conductor

Length of Extension Cable (m)	$R_{JACKET}$ (Ω)
3.0	0.20 ± 0.04
3.5	0.23 ± 0.05
4.0	0.26 ± 0.05
4.5	0.30 ± 0.06
6.0	0.39 ± 0.08
7.0	0.46 ± 0.09
7.5	0.49 ± 0.10
8.0	0.53 ± 0.11
8.5	0.56 ± 0.11

**Extension Cable Capacitance**

69.9 pF/m (21.3 pF/ft) typical

*Extended Temperature Range (ETR) for 5- and 9-Metre Systems:*

**Field Wiring**

0.2 to 1.5 mm<sup>2</sup> (16 to 24 AWG) . Recommend using 3-conductor shielded triad cable and tinned field wiring. Maximum length of 305 metres (1,000 feet) between the 3300 XL Proximito Sensor and the monitor. See the frequency response graphs in through Figure 13 (pages 27 and 28) for signal rolloff at high frequencies when using longer field wiring lengths.

7.87 V/mm (200 mV/mil) ± 6.5% including interchangeability error when measured in increments of 0.25 mm (10 mils) over the 80 mil linear range from 0 °C to +45 °C (+32 °F to +113 °F).

**Deviation from best fit straight line (DSL)**

*Standard 5- or 1-metre System:*

Less than ±0.025 mm (±1 mil) with components at 0 °C to +45 °C (+32 °F to +113 °F).

**Linear Range**

2 mm (80 mils). Linear range begins at approximately 0.25 mm (10 mils) from target and is from 0.25 to 2.3 mm (10 to 90 mils) (approximately -1 to -17 Vdc).

*Standard 9-metre System:*

**Recommended Gap Setting for Radial Vibration**

-9Vdc [approximately 1.27 mm (50 mils)]

Less than ±0.038 mm (±1.5 mil) with components at 0 °C to +45 °C (+32 °F to +113 °F).

*Extended Temperature Range 5 and 9-metre Systems:*

**Incremental Scale Factor (ISF)**

*Standard 5- or 1- metre System:*

7.87 V/mm (200 mV/mil) ± 5% including interchangeability error when measured in increments of 0.25 mm (10 mils) over the 80 mil linear range from 0 °C to +45 °C (+32 °F to +113 °F).

Less than ±0.038 mm (±1.5 mil) with components at 0 °C to +45 °C (+32 °F to +113 °F).

**Performance Over Extended Temperatures**

*Standard 5- or 1-metre System:*

*Standard 9-metre System:*

7.87 V/mm (200 mV/mil) ± 6.5% including interchangeability error when measured in increments of 0.25 mm (10 mils) over the 80 mil linear range from 0 °C to +45 °C (+32 °F to +113 °F).

Over a probe temperature range of -35 °C to +120 °C (-31 °F to +248 °F) with the Proximito sensor and extension cable between 0 °C to +45°C (+32 °F to +113 °F), the ISF remains within ±10% of 7.87 V/mm (200 mV/mil) and the DSL remains within ±0.076 mm (±3 mils).

Specifications and Ordering Information  
Part Number 141194-01  
Rev. Y (10/15)

Over a Proximitor sensor and extension cable temperature range of -35 °C to +65 °C (-31 °F to +149 °F) with the probe between 0 °C to +45 °C (+32 °F to +113 °F), the ISF remains within ±10% of 7.87 V/mm (200 mV/mil) and the DSL remains within ±0.076 mm (±3 mils).

*Standard 9-metre System:*

Over a probe temperature range of -35 °C to +120 °C (-31 °F to +248 °F) with the Proximitor sensor and extension cable between 0 °C to +45 °C (+32 °F to +113 °F), the ISF remains within ±18% of 7.87 V/mm (200 mV/mil) and the DSL remains within ±0.152 mm (±6 mils).

Over a Proximitor sensor and extension cable temperature range of -35 °C to +65 °C (-31 °F to +149 °F) with the probe between 0 °C to +45 °C (+32 °F to +113 °F), the ISF remains within ±18% of 7.87 V/mm (200 mV/mil) and the DSL remains within ±0.152 mm (±6 mils).

*Extended Temperature Range 5 and 9-metre Systems:*

Over a probe and extension cable temperature range of -35 °C to +260 °C (-31 °F to +500 °F) with the Proximitor sensor between 0 °C to +45 °C (+32 °F to +113 °F), the ISF remains within ±18% of 7.87 V/mm (200 mV/mil) and the DSL remains within ±0.152 mm (±6 mils).

**Frequency Response**

(0 to 10 kHz), +0, -3 dB, with up to 305 metres (1000 feet) of field wiring.

**Minimum Target Size**

15.2 mm (0.6 in) diameter (flat target)

**Shaft Diameter**

*Minimum:*

50.8 mm (2 in)

*Recommended*

*Minimum:*

76.2 mm (3 in)

When gapped at the center of the linear range, the interaction between two separate transducer systems (cross-talk) will be less than 50 mV on shaft diameters of at least 50 mm (2 in) or greater. You should take care to maintain minimum separation of transducer tips, generally at least 40 mm (1.6 in) for axial position measurements or 38 mm (1.5 in) for radial vibration measurements to limit cross-talk to 50 mV or less. Radial vibration or position measurements on shaft diameters smaller than 76.2 mm (3 in) will generally change the scale factor.

**Effects of 60 Hz Magnetic Fields up to 300 Gauss**

Output Voltage in Mil pp/Gauss

Gap (mil)	5- or 1-metre Proximitor Sensor	9-metre Proximitor Sensor	Probe	Ext. Cable
10	0.0119	0.0247	0.0004	0.0004
50	0.0131	0.0323	0.0014	0.0014
90	0.0133	0.0348	0.0045	0.0045

## Compliance and Certifications

### EMC

European Community Directives:  
EMC Directive 2004/108/EC  
Standards:  
EN61000-6-2  
EN61000-6-4

### Maritime

ABS 2009 Steel Vessels Rules  
1-1-4/7.7, 4-8-3/1.11.1, 4-9-7/13

## Hazardous Area Approvals

**Note:** For a detailed listing of country and product specific approvals, refer to the **Approvals Quick Reference Guide** (document 108M1756) located at the following website: [www.GEmeasurement.com](http://www.GEmeasurement.com).

### CSA/NRTL/C

3300 XL  
Proximator  
Sensor and  
probe, ia:

Ex ia IIC T4/T5; Class I Zone 0 or Class 1; Groups A, B, C, and D, Class II, Groups E, F and G, Class III when installed with intrinsically safe zener barriers per drawing 141092 or when installed with galvanic isolators.


3300 XL  
Proximator  
Sensor and  
probe, nA:

Ex nA IIC T4/T5 Class I Zone 2 or Class I, Division 2, Groups A, B, C, and D, when installed without barriers per drawing 140979.  
T5 @ Ta= -35 °C to +85 °C.  
T4 @ Ta= -51 °C to +100 °C.


## ATEX/IECEX

3300 XL  
Proximator  
Sensor

ia:

 II 1 G  
Ex ia IIC T4/T5 Ga  
T5 @ Ta= -35 °C to +85 °C  
T4 @ Ta= -51 °C to +100 °C  
Ui= -28V      Ci = 0  
Ii= 140mA      Li =10µH  
Pi= 0.91W


nA:

 II 3 G  
Ex nA IIC T4/T5 Gc  
T5 @ Ta= -35 °C to +85 °C  
T4 @ Ta= -51 °C to +100 °C

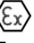
3300 XL  
8mm probe

**Note:** Probe entity parameters are met when used with BN extension cables and connected to BN Prox.

ia:

 II 1 G  
Ex ia IIC T1...T5 Ga, (see Table 1: Temperature Schedule)  
Ui = -28V      Ci = 1.5 nF  
Ii = 140 mA      Li = 210 µH  
Pi = 0.91 W

nA:

 II 3 G  
Ex nA IIC T1...T5 Gc, (see Table 1: Temperature Schedule).  
Ui = -28V

**Table 1: Temperature Schedule**

Temperature Classification	Ambient Temperature (Probe Only)
T1	-51°C to +232°C
T2	-51°C to +177°C
T3	-51°C to +120°C
T4	-51°C to +80°C
T5	-51°C to +40°C

**Hazardous Area  
Conditions of  
Safe Use:**

CSA/NRTL/C:

*ia:*

Install per Bently Nevada drawing 141092.

*nA:*

Install per Bently Nevada drawing 140979.

ATEX:

*ia:*

None

*nA:*

Equipment must be installed in a suitably approved enclosure that provides the terminals with a degree of protection of at least IP54.

IECEX:

*ia:*

The Prox must be installed so as to minimize the risk of impact or friction with other metallic surfaces.

*nA:*

The Prox must be installed so as to provide the terminals with a degree of protection of at least IP54.

**Mechanical**

**Probe Tip  
Material**

Polyphenylene sulfide (PPS).

**Probe Case  
Material**

AISI 303 or 304 stainless steel (SST).

**Probe Cable  
Specifications**

*Standard  
cable:*

75Ω triaxial, fluoroethylene propylene (FEP) insulated probe cable in the following total probe lengths: 0.5, 1, 1.5, 2, 3, 5, or 9 metres.

*Extended  
Temperature  
Range cable:*

75Ω triaxial, perfluoroalkoxy (PFA) insulated probe cable in the following total probe lengths: 0.5, 1, 1.5, 2, 5, or 9 metres.

*Aarmor  
(optional on  
both):*

Flexible AISI 302 or 304 SST with FEP outer jacket.

*Tensile Strength  
(Maximum  
Rated):*

330 N (75 lbf) probe case to probe lead.

270 N (60 lbf) at probe lead to extension cable connectors.

*Connector  
Material:*

Gold-plated brass or gold-plated beryllium copper.

Specifications and Ordering Information  
Part Number 141194-01  
Rev. Y (10/15)

*Probe Case Torque:*

Probe Type	Maximum Rated	Recommended
Standard forward-mounted probes	33.9 N•m (300 in•lbf)	11.2 N•m (100 in•lbf)
Standard forward-mount probes - first three threads	22.6 N•m (200 in•lbf)	7.5 N•m (66 in•lbf)
Reverse-mount probes	22.6 N•m (200 in•lbf)	7.5 N•m (66 in•lbf)

*Connector-to-connector recommended torque:*

Connector Type	Tightening Instructions
Two 3300 XL gold "click" type connectors	Finger tight
One non-XL stainless steel connector and one 3300 XL connector	Finger tight plus 1/8 turn using pliers

**Extension Cable Material**

*Standard cable:*

75Ω triaxial, fluoroethylene propylene (FEP) insulated.

*Extended Temperature Range cable:*

75Ω triaxial, perfluoroalkoxy (PFA) insulated.

*Minimum Cable Bend Radius:*

25.4 mm (1.0 in)

**Note:** 3300 XL 8 mm components are both electrically and physically interchangeable with non-XL 3300 5 mm and 8 mm components when minimum permissible cable bend radius is observed..

*Connector Material:*

Gold-plated brass or gold-plated beryllium copper.

*Maximum Connector Torque:*

0.565 N•m (5 in•lbf)

**Proximator Sensor Material**

A308 aluminum

*Connector Material:*

Gold-plated brass or gold-plated beryllium copper.

**System Length**

5 or 9 metres (including extension cable) or 1 metre (probe only).

**Total System Mass (Typical)**

0.7 kg (1.5 lbm)

*Probe:*

323 g (11.4 oz)

*Extension Cable:*

34 g/m (0.4 oz/ft)

*Armored Extension Cable:*

103 g/m (1.5 oz/ft)

*Proximator Sensor:*

246 g (8.67 oz)

**Environmental Limits**

**Probe Temperature Range**

*Operating and Storage Temperature*

*Standard Probe:*

-51 °C to +177 °C (-60 °F to +350 °F)

*Extended Temperature Range Probe:*

-51 °C to +218 °C (-60 °F to +425°F) for the probe tip; -51 °C to +260 °C (-60 °F to +500 °F) for the probe cable and connector.

**Note:** Exposing the probe to temperatures below -34 °C (-30 °F) may cause premature failure of the pressure seal.

**Probe Pressure**

3300 XL 8 mm probes are designed to seal differential pressure between the probe tip and case. The probe sealing material consists of a Viton® O-ring. Probes are not pressure tested prior to shipment. Contact our custom design department if you require a test of the pressure seal for your application.

**Note:** It is the responsibility of the customer or user to ensure that all liquids and gases are contained and safely controlled should leakage occur from a proximity probe. In addition, solutions with high or low pH values may erode the tip assembly of the probe causing media leakage into surrounding areas. Bently Nevada, Inc. will not be held responsible for any damages resulting from leaking 3300 XL 8 mm proximity probes. In addition, 3300 XL 8 mm proximity probes will not be replaced under the service plan due to probe leakage.

**Extension Cable Temperature Range**

*Operating and Storage Temperature*

*Standard Cable:*

-51 °C to +177 °C (-60 °F to +350 °F)

*Extended Temperature Range Cable:*

-51 °C to +260 °C (-60 °F to +500 °F)

**Proximity Sensor Temperature Range**

*Operating Temperature*

-51 °C to +100 °C (-60 °F to +212 °F)

*Storage Temperature*

-51 °C to +105 °C (-60 °F to +221 °F)

**Relative Humidity**

Less than a 3% change in Average Scale Factor (ASF) when tested in 93% humidity in accordance with IEC standard 68-2-3 for up to 56 days.

**Patents**

Components or procedures described in one or more of the following patents apply to this product: 5,016,343; 5,126,664; 5,351,588; and 5,685,884.

## Ordering Information

**Note:** For a detailed listing of country and product specific approvals, refer to the *Approvals Quick Reference Guide* (document 108M1756) located at the following website: [www.GEmeasurement.com](http://www.GEmeasurement.com).

## Ordering Information Probes

### 3300 XL 8 mm Proximity Probes:

**330101** 3300 XL 8 mm Probe, 3/8-24 UNF thread, without armor<sup>2</sup>

**330102** 3300 XL 8 mm Probe, 3/8-24 UNF thread, with armor<sup>2</sup>

**Part Number-AXX-BXX-CXX-DXX-EXX**

**A:** Unthreaded Length Option

**Note:** Unthreaded length must be at least 0.8 inches less than the case length.

Order in increments of 0.1 in  
**Length configurations:**  
**Maximum unthreaded length:** 8.8 in  
**Minimum unthreaded length:** 0.0 in  
**Example: 0 4 = 0.4 in**

**B:** Overall Case Length Option

Order in increments of 0.1 in  
**Threaded length configurations:**  
**Maximum case length:** 9.6 in  
**Minimum case length:** 0.8 in  
**Example: 2 4 = 2.4 in**

**C:** Total Length Option

**05** 0.5 metre (1.6 feet)  
**10** 1.0 metre (3.3 feet)  
**15** 1.5 metre (4.9 feet)  
**20** 2.0 metres (6.6 feet)  
**30** 3.0 metres (9.8 feet)  
**50** 5.0 metres (16.4 feet)  
**90** 9.0 metres (29.5 feet)

**Notes:** 3-metre length option is only available on 330101 probes, and are designed for use with the 9-metre Proximitor sensor only.

5-metre probes are designed for use with the 5-metre Proximitor sensor only.

**D:** Connector and Cable-Type Option

**01** Miniature coaxial ClickLoc connector with connector protector, standard cable  
**02** Miniature coaxial ClickLoc connector, standard cable  
**11** Miniature coaxial ClickLoc connector with connector protector, FluidLoc cable  
**12** Miniature coaxial ClickLoc connector, FluidLoc cable

**E:** Agency Approval Option

**00** Not required  
**05** CSA, ATEX, IECEx Approvals

### 3300 XL 8 mm Proximity Probes, Metric:

**330103** 3300 XL 8 mm Probe, M10 x 1 thread, without armor<sup>2</sup>

**330104** 3300 XL 8 mm Probe, M10 x 1 thread, with armor<sup>2</sup>

**Part Number-AXX-BXX-CXX-DXX-EXX**

**A:** Unthreaded Length Option

**Note:** Unthreaded length must be at least 20 mm less than the case length.

Order in increments of 10 mm.  
**Length configuration:**  
**Maximum unthreaded length:** 230 mm  
**Minimum unthreaded length:** 0 mm  
**Example: 0 6 = 60 mm**

**B:** Overall Case Length Option

Order in increments of 10 mm.  
**Metric thread configurations:**  
**Maximum length:** 250 mm  
**Minimum length:** 20 mm  
**Example: 0 6 = 60 mm**

**C:** Total Length Option

**05** 0.5 metre (1.6 feet)  
**10** 1.0 metre (3.3 feet)  
**15** 1.5 metres (4.9 feet)  
**20** 2.0 metres (6.6 feet)  
**50** 5.0 metres (16.4 feet)

**Note:** 5-metre probes are designed for use with the 5-metre Proximitor sensor only.

**90** 9.0 metres (29.5 feet)

- D: Connector and Cable-Type Option
- 01 Miniature coaxial ClickLoc connector with connector protector, standard cable
  - 02 Miniature coaxial ClickLoc connector, standard cable
  - 11 Miniature coaxial ClickLoc connector with connector protector, FluidLoc cable
  - 12 Miniature coaxial ClickLoc connector, FluidLoc cable
- E: Agency Approval Option
- 00 Not required
  - 05 CSA, ATEX, IECEx Approvals

---

### 3300 XL 8 mm Reverse Mount Probes

330105-02-12-CXX-DXX-EXX, 3/8-24 UNF threads<sup>2</sup>

330106-05-30-CXX-DXX-EXX, M10 x 1 threads<sup>2</sup>

#### Option Descriptions

- C: Total Length Option
- 05 0.5 metre (1.6 feet)
  - 10 1.0 metre (3.3 feet)
  - 15 1.5 metre (4.9 feet)
  - 20 2.0 metres (6.6 feet)
  - 50 5.0 metres (16.4 feet)

**Note:** 5-metre probes are designed for use with the 5-metre Proximity sensor only.

- D: Connector Option
- 90 9.0 metres (29.5 feet)
  - 02 Miniature ClickLoc coaxial connector
  - 12 Miniature ClickLoc coaxial connector, FluidLoc cable

**Note:** The FluidLoc cable option –12 is not necessary on the vast majority of 330105 and 330106 installations due to the presence of the probe sleeve. Consider carefully the application before ordering the FluidLoc cable option for these probes.

- E: Agency Approval Option
- 00 Not required
  - 05 CSA, ATEX, IECEx Approvals

---

### 3300 XL 8 mm Proximity Probes, Smooth Case:

330140 3300 XL 8 mm Probe without armor<sup>1</sup>

330141 3300 XL 8 mm Probe with armor<sup>1</sup>

Part Number-AXX-BXX-CXX-DXX

#### Option Descriptions

- A: Overall Case Length Option
- Order in increments of 0.1 in
- Length configurations:**  
**Maximum length:** 9.6 in  
**Minimum length:** 0.8 in  
**Example:** 2 4 = 2.4 in

- B: Total Length Option
- 05 0.5 metre (1.6 feet)
  - 10 1.0 metre (3.3 feet)
  - 15 1.5 metres (4.9 feet)
  - 20 2.0 metres (6.6 feet)
  - 50 5.0 metres (16.4 feet)

**Note:** 5-metre probes are designed for use with the 5-metre Proximity sensor only.

- C: Connector and Cable-Type Option
- 90 9.0 metres (29.5 feet)
  - 01 Miniature coaxial ClickLoc connector with connector protector, standard cable
  - 02 Miniature coaxial ClickLoc connector, standard cable
  - 11 Miniature coaxial ClickLoc connector with connector protector, FluidLoc cable
  - 12 Miniature coaxial ClickLoc connector, FluidLoc cable
- D: Agency Approval Option
- 00 Not required
  - 05 CSA, ATEX, IECEx Approvals

**3300 XL 8 mm Extended Temperature Range (ETR) Proximity Probes:**

330191 3300 XL 8 mm ETR Probe, 3/8-24 UNF thread, without armor

330192 3300 XL 8 mm ETR Probe, 3/8-24 UNF thread, with armor

**Part Number-AXX-BXX-CXX-DXX**

**A:** Unthreaded Length Option

**Note:** Unthreaded length must be at least 0.8 inches less than the case length.

Order in increments of 0.1 in  
**Length configurations:**  
**Maximum unthreaded length:** 8.8 in  
**Minimum unthreaded length:** 0.0 in  
**Example:** 1 5 = 1.5 in

**B:** Overall Case Length Option

Order in increments of 0.5 in  
**Threaded length configurations:**  
**Maximum case length:** 9.6 in  
**Minimum case length:** 0.8 in  
**Example:** 2 5 = 2.5 in

**C:** Total Length Option

**05** 0.5 metre (1.6 feet)  
**10** 1.0 metre (3.3 feet)  
**15** 1.5 metre (4.9 feet)  
**20** 2.0 metres (6.6 feet)  
**50** 5.0 metres (16.4 feet)

**Note:** 5-metre probes are designed for use with the 5-metre Proximitor sensor only.

**D:** Agency Approval Option

**90** 9.0 metres (29.5 feet)  
**00** Not required  
**05** CSA, ATEX, IECEx Approvals

**3300 XL 8 mm Extended Temperature Range (ETR) Proximity Probes, Metric:**

330193 3300 XL 8 mm Probe, M10 x 1 thread, without armor

330194 3300 XL 8 mm Probe, M10 x 1 thread, with armor

**Part Number-AXX-BXX-CXX-DXX**

**A:** Unthreaded Length Option

**Note:** Unthreaded length must be at least 20 mm less than the case length.

Order in increments of 10 mm.  
**Length configuration:**  
**Maximum unthreaded length:** 230 mm  
**Minimum unthreaded length:** 0 mm  
**Example:** 0 6 = 60 mm

**B:** Overall Case Length Option

Order in increments of 10 mm.  
**Metric thread configurations:**  
**Maximum length:** 250 mm  
**Minimum length:** 20 mm  
**Example:** 0 6 = 60 mm

**C:** Total Length Option

**05** 0.5 metre (1.6 feet)  
**10** 1.0 metre (3.3 feet)  
**15** 1.5 metres (4.9 feet)  
**20** 2.0 metres (6.6 feet)  
**50** 5.0 metres (16.4 feet)

**Note:** 5-metre probes are designed for use with the 5-metre Proximitor sensor only.

**D:** Agency Approval Option

**90** 9.0 metres (29.5 feet)  
**00** Not required  
**05** CSA, ATEX, IECEx Approvals

**3300 XL 8 mm Extended Temperature Range (ETR) Reverse Mount Probes**

330195-02-12-CXX-DXX, 3/8-24 UNF threads

330196-05-30-CXX-DXX, M10 x 1 threads

C: Total Length Option

- 05 0.5 metre (1.6 feet)
- 10 1.0 metre (3.3 feet)
- 15 1.5 metre (4.9 feet)
- 20 2.0 metres (6.6 feet)
- 50 5.0 metres (16.4 feet)

**Note:** 5-metre probes are designed for use with the 5-metre Proximitor sensor only.

90 9.0 metres (29.5 feet)

D: Agency Approval Option

- 00 Not required
- 05 CSA, ATEX, IECEx Approvals

**3300 XL 8 mm Extended Temperature Range (ETR) Proximity Probes, Smooth Case:**

330197 3300 XL 8 mm Probe without armor<sup>1</sup>

330198 3300 XL 8 mm Probe with armor<sup>1</sup>

Part Number-AXX-BXX-CXX

A: Overall Case Length Option

Order in increments of 0.5 in

**Length configurations:**

**Maximum length:** 9.5 in

**Minimum length:** 1.0 in

**Example:** 3 5 = 3.5 in

B: Total Length Option

- 05 0.5 metre (1.6 feet)
- 10 1.0 metre (3.3 feet)
- 15 1.5 metres (4.9 feet)
- 20 2.0 metres (6.6 feet)
- 50 5.0 metres (16.4 feet)

**Note:** 5-metre probes are designed for use with the 5-metre Proximitor sensor only.

90 9.0 metres (29.5 feet)

C: Agency Approval Option

- 00 Not required
- 05 CSA, ATEX, IECEx Approvals

**Aluminum probe clamp bracket<sup>1</sup>**

137491-AXX

A: Mounting screw option

- 01 10-24 UNC-2A mounting screws
- 02 M5 x 0.8-6g mounting screws

The aluminum clamp bracket is an unthreaded mounting bracket designed for use with the smooth case probes (330140, 330141, 330197 and 330198). After gapping the probe, tighten the clamp bracket by tightening the screws. The mounting screws have pre-drilled holes for safety wire.

**Aluminum probe threaded mounting bracket**

137492-AXX

A: Thread size

- 01 3/8-24
- 04 M10 x 1

The aluminum probe threaded mounting bracket is the standard mounting bracket for most 3300 and 3300 XL probe installations. The **-01** option includes two 10-24 UNC-2A mounting screws. The **-04** option includes two M5 x 0.8-6g mounting screws. The mounting screws have pre-drilled holes for safety wire.

**Phenolic threaded probe mounting bracket**

27474-AXX

A: Thread size

- 01 3/8-24
- 04 M10 x 1

We recommend the phenolic threaded mounting bracket if your application requires additional electric isolation from the mounting location (as in some generator and electrical motor bearing locations). The **-01** option includes two 10-24 UNC-2A mounting screws. The **-04** option includes two M5 x 0.8-6g mounting screws. The mounting screws have pre-drilled holes for safety wire.

**Probe Ordering Information Notes:**

1. Mounting clamps must be ordered separately for 330140, 330141, 330197, and 330198.
2. For a shorter delivery time, order commonly stocked probes. The following part numbers are currently stocked probes:

330101-00-08-05-02-00, 330101-00-08-05-02-05,  
 330101-00-08-10-02-00, 330101-00-08-10-02-05,  
 330101-00-12-10-02-00, 330101-00-12-10-02-05,  
 330101-00-16-10-02-00, 330101-00-16-10-02-05,  
 330101-00-20-05-02-00, 330101-00-20-10-02-00,  
 330101-00-20-10-02-05, 330101-00-30-10-02-00,  
 330101-00-30-10-02-05, 330101-00-40-05-02-00,  
 330101-00-40-10-02-00, 330101-00-40-10-02-05,  
 330101-00-60-10-02-00, 330101-00-60-10-02-05,  
 330102-00-20-10-02-00, 330103-00-02-10-02-05,  
 330103-00-04-10-02-00, 330103-00-05-10-02-00,  
 330104-00-06-10-02-00, 330104-01-05-50-02-00,  
 330105-02-12-05-02-00, 330105-02-12-05-02-05,  
 330105-02-12-10-02-00, 330105-02-12-10-02-05,  
 330106-05-30-05-02-00, 330106-05-30-05-02-05,  
 330106-05-30-10-02-00, 330106-05-30-10-02-05.

**Ordering Information Proximity Sensor**

**3300 XL Proximity Sensor**

**330180-AXX-BXX**

**A: Total Length and Mounting Option**

- 10** 1.0 metre (3.3 feet) system length, panel mount
- 11** 1.0 metre (3.3 feet) system length, DIN mount
- 12** 1.0 metre (3.3 feet) system length, no mounting hardware
- 50** 5.0 metre (16.4 feet) system length, panel mount
- 51** 5.0 metre (16.4 feet) system length, DIN mount
- 52** 5.0 metre (16.4 feet) system length, no mounting hardware
- 90** 9.0 metres (29.5 feet) system length, panel mount
- 91** 9.0 metres (29.5 feet) system length, DIN mount
- 92** 9.0 metres (29.5 feet) system length, no mounting hardware

**B: Agency Approval Option**

- 00** Not required
- 05** CSA, ATEX, IECEx approvals

## Ordering Information Extension Cables

### 3300 XL Standard Extension Cable

**330130-AXXX-BXX-CXX**

**Note:** Make sure that the extension cable length and the probe length, when added together, equal the Proximity Sensor total length.

**A:** Cable Length Option

- 030** 3.0 metres (9.8 feet)
- 035** 3.5 metres (11.5 feet)
- 040** 4.0 metres (13.1 feet)
- 045** 4.5 metres (14.8 feet)
- 060** 6.0 metres (19.7 feet)
- 070** 7.0 metres (22.9 feet)
- 075** 7.5 metres (24.6 feet)
- 080** 8.0 metres (26.2 feet)
- 085** 8.5 metres (27.9 feet)

**B:** Connector Protector and Cable Option

- 00** Standard cable
- 01** Armored cable
- 02** Standard cable with connector protector
- 03** Armored cable with connector protector
- 10** FluidLoc cable
- 11** Armored FluidLoc cable
- 12** FluidLoc cable with connector protector
- 13** Armored FluidLoc cable with connector protector

**C:** Agency Approval Option

- 00** Not required
- 05** CSA, ATEX, IECEx Approvals

### 3300 XL Extended Temperature Range (ETR) Extension Cable

**330190-AXXX-BXX-CXX**

**Note:** Make sure that the extension cable length and the probe length, when added together, equal the Proximity Sensor total length.

**A:** Cable Length Option

- 030** 3.0 metres (9.8 feet)
- 035** 3.5 metres (11.5 feet)
- 040** 4.0 metres (13.1 feet)
- 045** 4.5 metres (14.8 feet)
- 070** 7.0 metres (22.9 feet)
- 075** 7.5 metres (24.6 feet)
- 080** 8.0 metres (26.2 feet)
- 085** 8.5 metres (27.9 feet)

**B:** Cable Option

- 00** Standard cable
- 01** Armored cable

**C:** Agency Approval Option

- 00** Not required
- 05** CSA, ATEX, IECEx Approvals

**Accessories**

141078-01

**Manual.**

175751

**3300 XL Multi-Purpose Stainless Steel Housing.** 12"x12"x6". Can hold up to 8 Proximity Sensors in a DIN-mount configuration or 6 Proximity Sensors in a panel-mount configuration. (Available with ATEX Zone 0 and Zone 1 certifications.)

176467

**3300 XL Multi-Purpose Stainless Steel Housing.** 12"x8"x6". Can hold up to 4 3300XL Proximity Sensors in both DIN-mount and panel-mount configurations. (Available with ATEX Zone 0 and Zone 1 certifications.)

330181

**3300 XL Multi-Purpose Stainless Steel Housing.** 13"x9.5"x7". Can hold up to 8 Proximity sensors in a DIN-mount configuration or 6 Proximity Sensors in a panel-mount configuration. Primarily used by customers requiring hazardous area approvals for their installations. Available with ATEX Zone 0 and Zone 1 and North American Division 1 and Division 2 certifications.

02120015

**Bulk field wire.** 1.0 mm<sup>2</sup> (18 AWG), 3 conductor, twisted, shielded cable with drain wire. Specify length in feet.

138492-01

**Replacement panel-mount mounting pad.**

138493-01

**Replacement DIN-mount mounting pad.**

148722-01

**3300 XL test plug.** The 3300 XL Test Plug contains 3 small test pins attached to 3 color-coded 1-metre wires, each terminated in a banana plug. The 3-pin adapter plugs into the test pin holes on 3300 XL-style Proximity sensors. You can use this test plug to check the performance of the Proximity sensor from the test pin holes in the terminal strip without removing the field wiring.

04310310

**3300 XL Proximity Sensor panel-mount screw.** One 6-32 UNC thread forming mounting screw. Four screws are required for each Proximity sensor. (Screws supplied standard with Proximity housings [3300 XL panel-mount option]).

03200006

**Silicone self-fusing tape.** A 9.1-metre (10-yard) roll of silicone tape to protect connectors. This tape is easy to install and provides excellent electrical isolation and protection from the environment. We do not recommend using this tape inside the casing of the machine.

40113-02

**Connector Protector Kit.** Connector Protector Kit for 3300 XL 8 mm probes and extension cables, including connector protectors and installation tools.

136536-01

**Connector protector adapter.** This allows you to use connector protector installation tools manufactured prior to 1998 with 75Ω ClickLoc connectors.

40180-02

**Connector protectors.** Package contains 10 pairs of connector protectors for 3300 XL 8 mm probes and extension cables.

03839410

**75Ω triaxial male connector protector.** Male connector protectors install onto the extension cable and attach to the female connector protector on the probe, providing environmental protection of connectors.

03839420

**75Ω triaxial female connector protector.** Female connector protectors install onto the probe lead and attach to the male connector protector on the extension cable, providing environmental protection of connectors. You can also place the connector protector onto the extension cable to slide over the connection to the Proximitor sensor to protect that connection from the environment.

04301007

**3/8-24 probe lock nut with safety wire holes.** Single probe lock nut with 2 holes drilled through the nut in order to secure the lock nut in place with safety wire.

04301008

**M10 x 1 probe lock nut with safety wire holes.** Single probe lock nut with 2 holes drilled through the nut in order to secure the lock nut in place with safety wire.

330153-01

**3300 XL connector kit.** Used on 3300 XL 8 mm probes and extension cables. Contains 1 pair each of male and female ClickLoc connectors, 2 color-coded sleeves, 2 pieces of slit FEP tubing, and 1 strip of silicone tape.

330153-09

**3300 XL ETR Connector Kit.** Used on ETR 3300 XL 8mm probes and 3300 ETR XL extension cables. Contains one pair of male and female ClickLoc connectors, two color-coded sleeves, two pieces of high temperature slit FEP tubing, and one strip of silicon tape.

163356

**Connector Crimp Tool Kit.** Includes 1 set of multiconnector inserts and connector installation instructions. Compatible only with 330153 connector kits or with probes shipped in 2003 or later with ClickLoc connectors uninstalled. Supplied with carrying case.

## Graphs

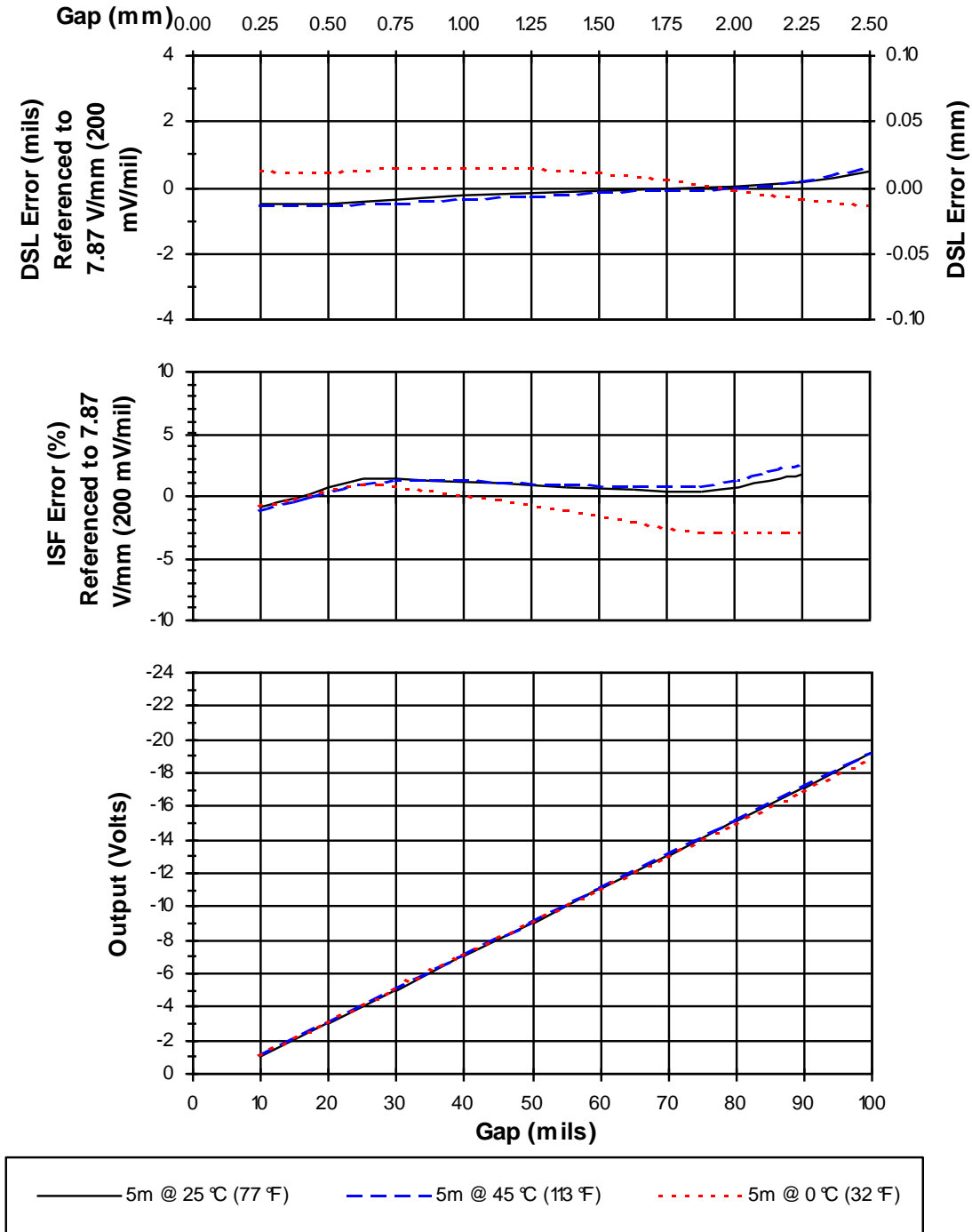


Figure 1: Typical 3300 XL 8 mm 5m or 1m System over API 670 Testing Range

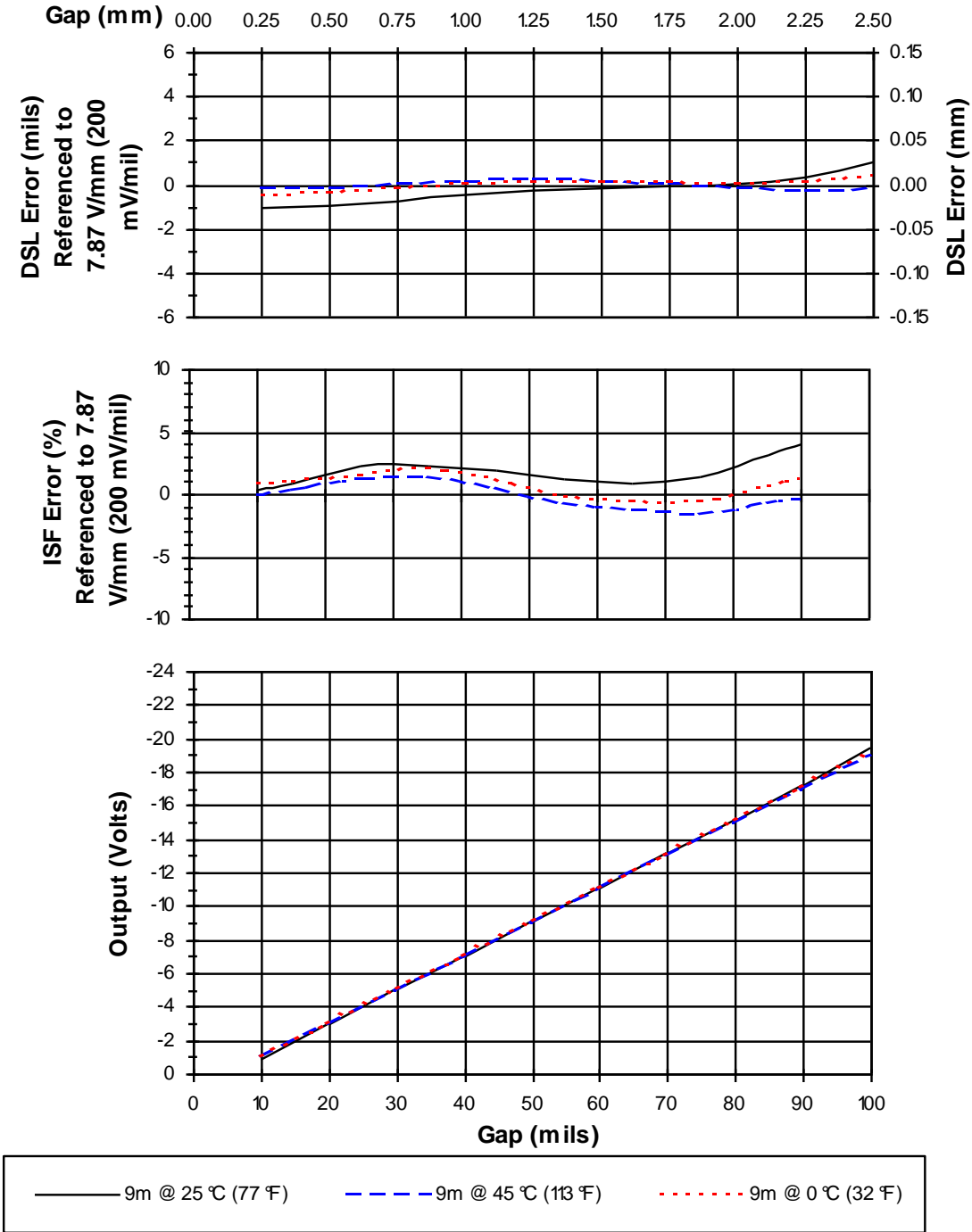


Figure 2: Typical 3300 XL 8 mm 9m System over API 670 Testing Range

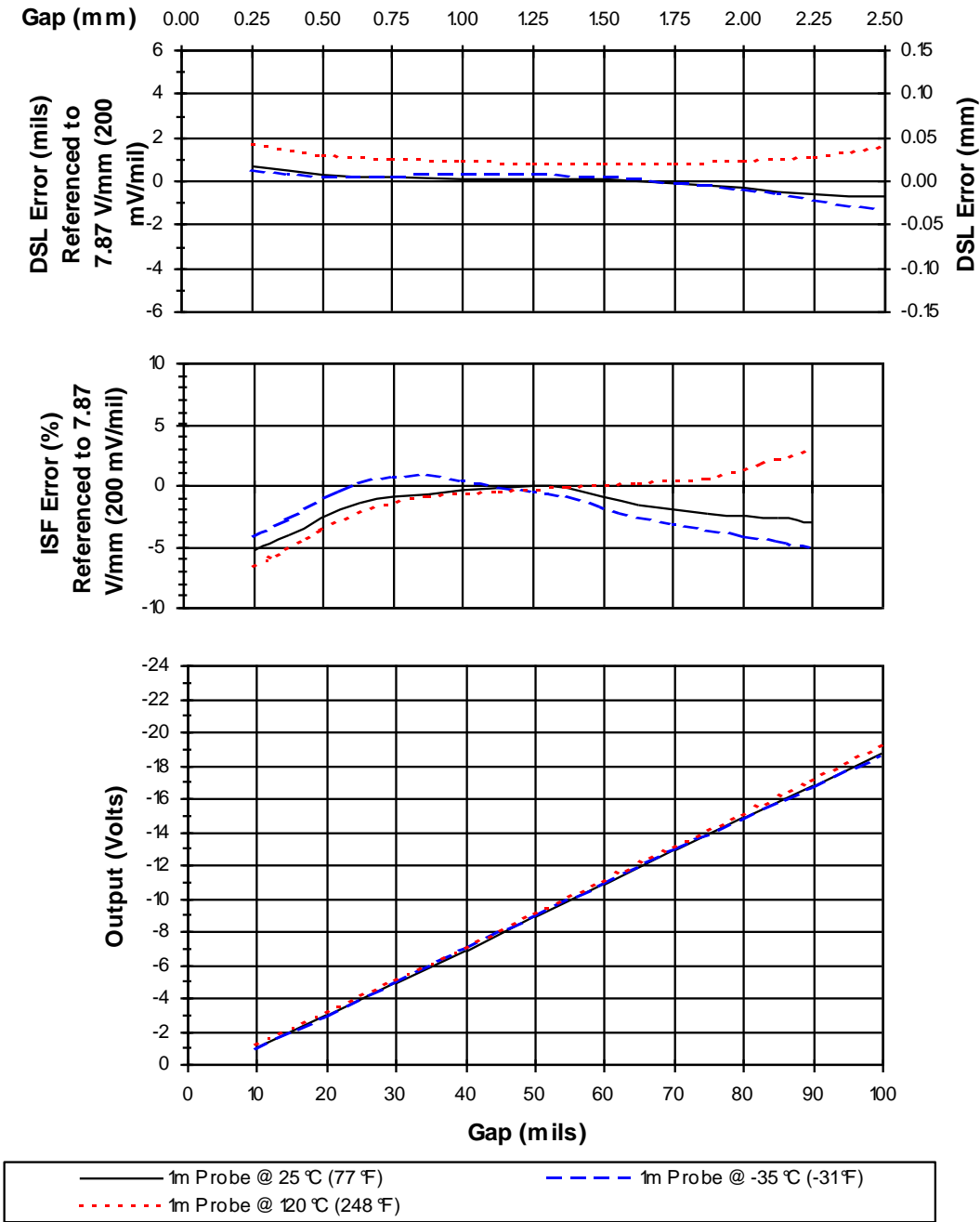


Figure 3: Typical 3300 XL 8mm Probe over API 670 Operating Range

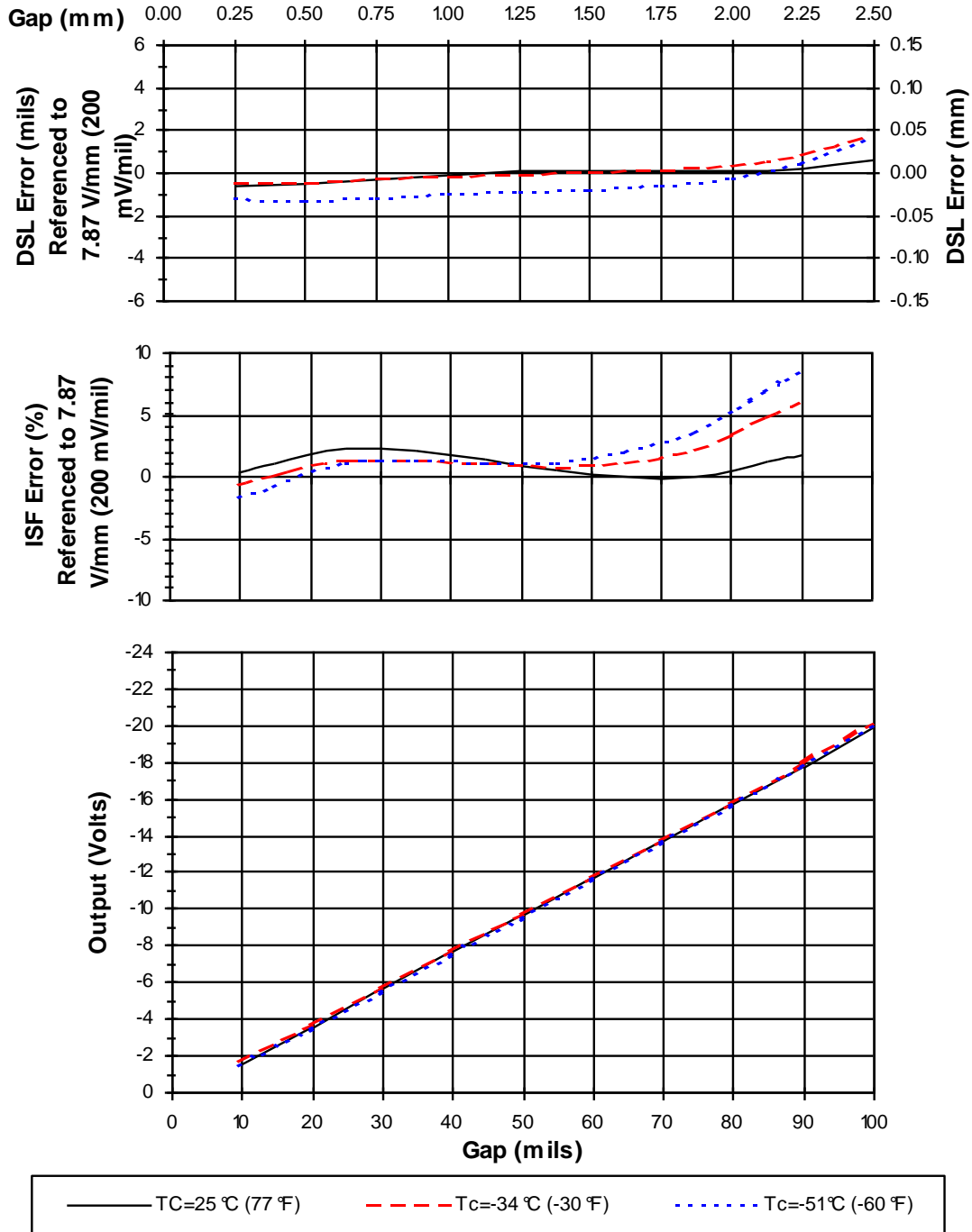


Figure 4: Typical 3300 XL 8 mm 5m Proximitor Sensor with 4m Extension Cable at T<sub>c</sub> (Probe is at 25 °C)

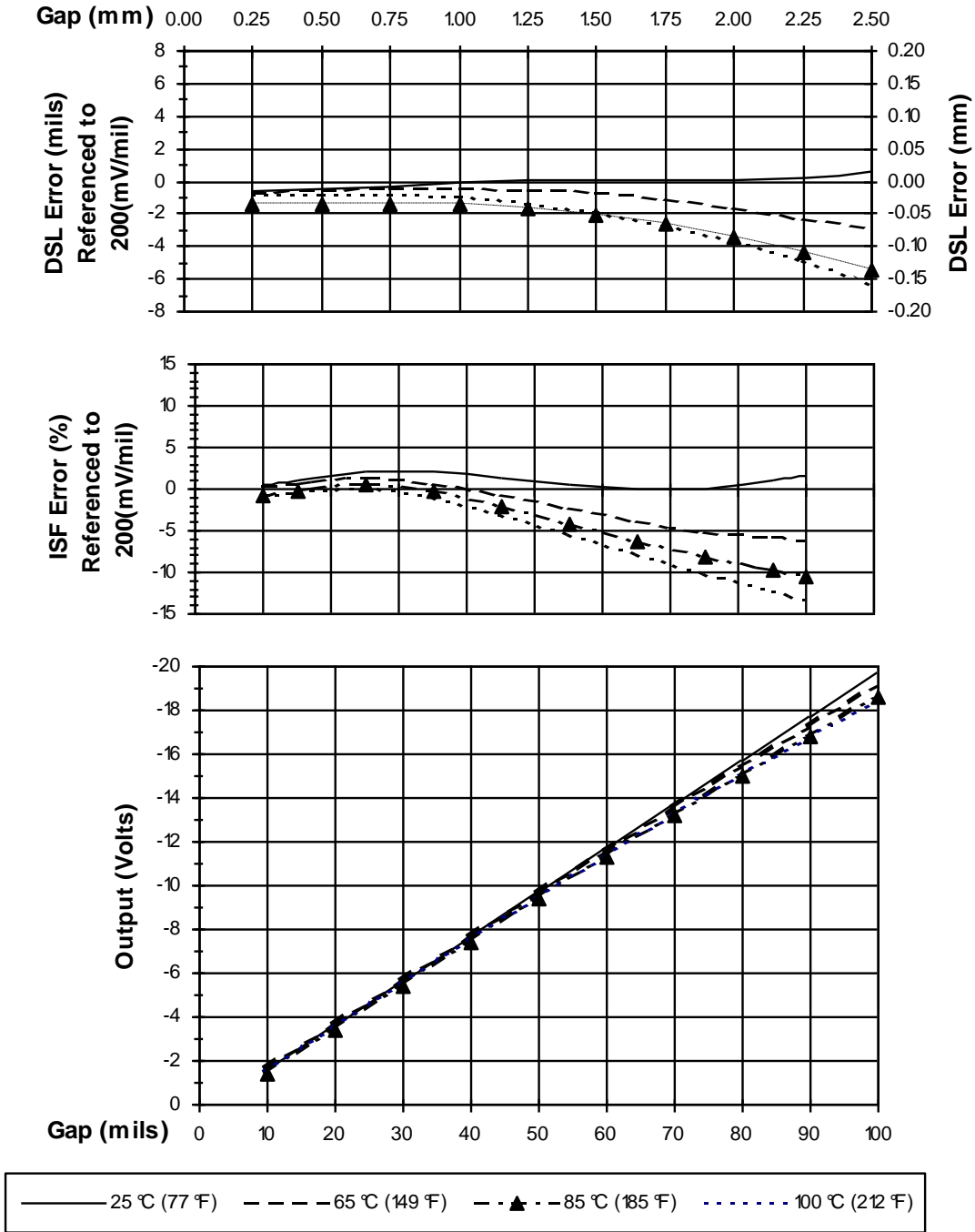


Figure 5: Typical 3300 XL 8 mm 5m Proximitor Sensor with 4m Extension Cable at  $T_h$  (Probe is at 25°C)

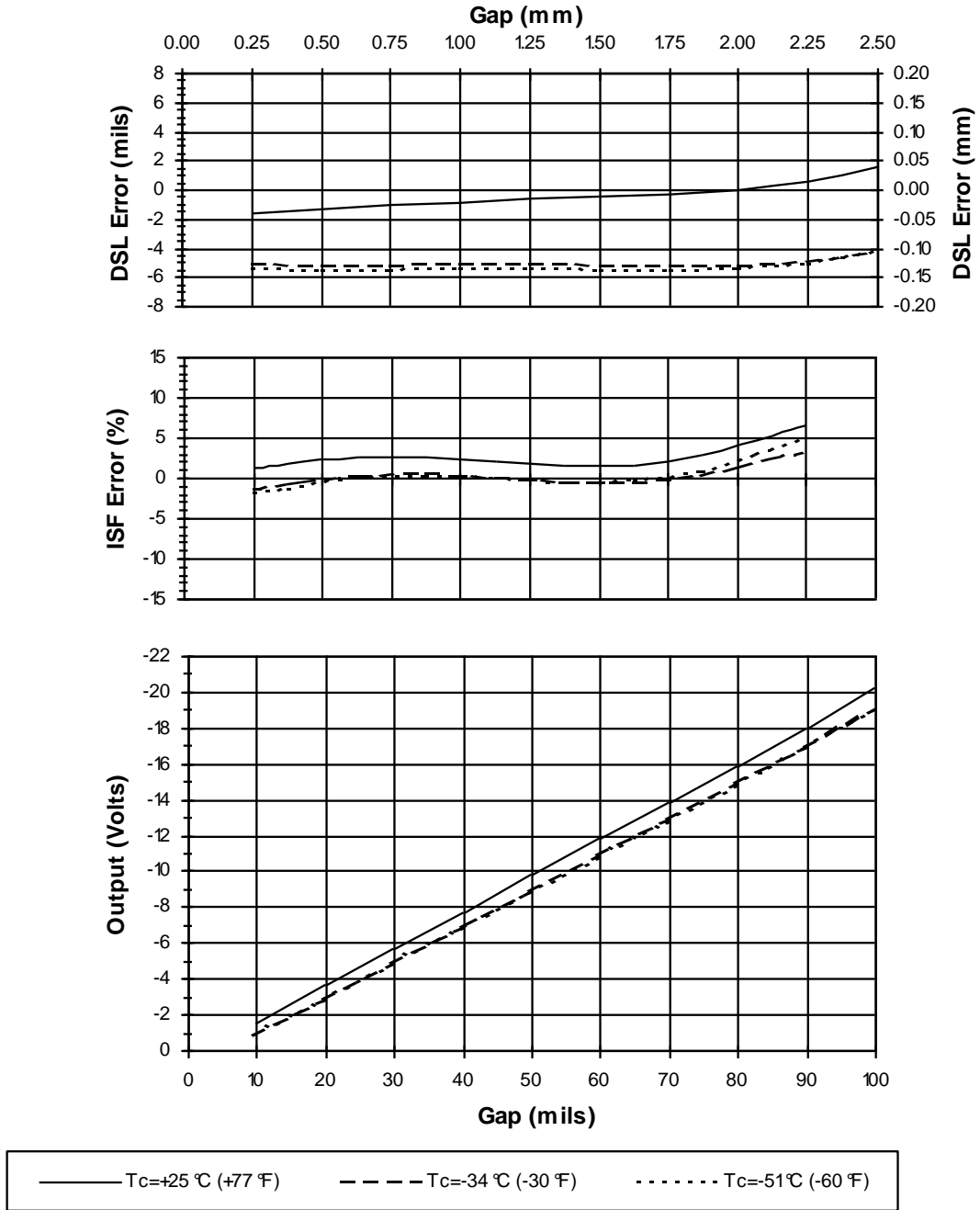


Figure 6: Typical 3300 XL 8mm 9 m Proximity Sensor with 8m of Extension Cable at  $T_c$  (Probe is at 25 °C)

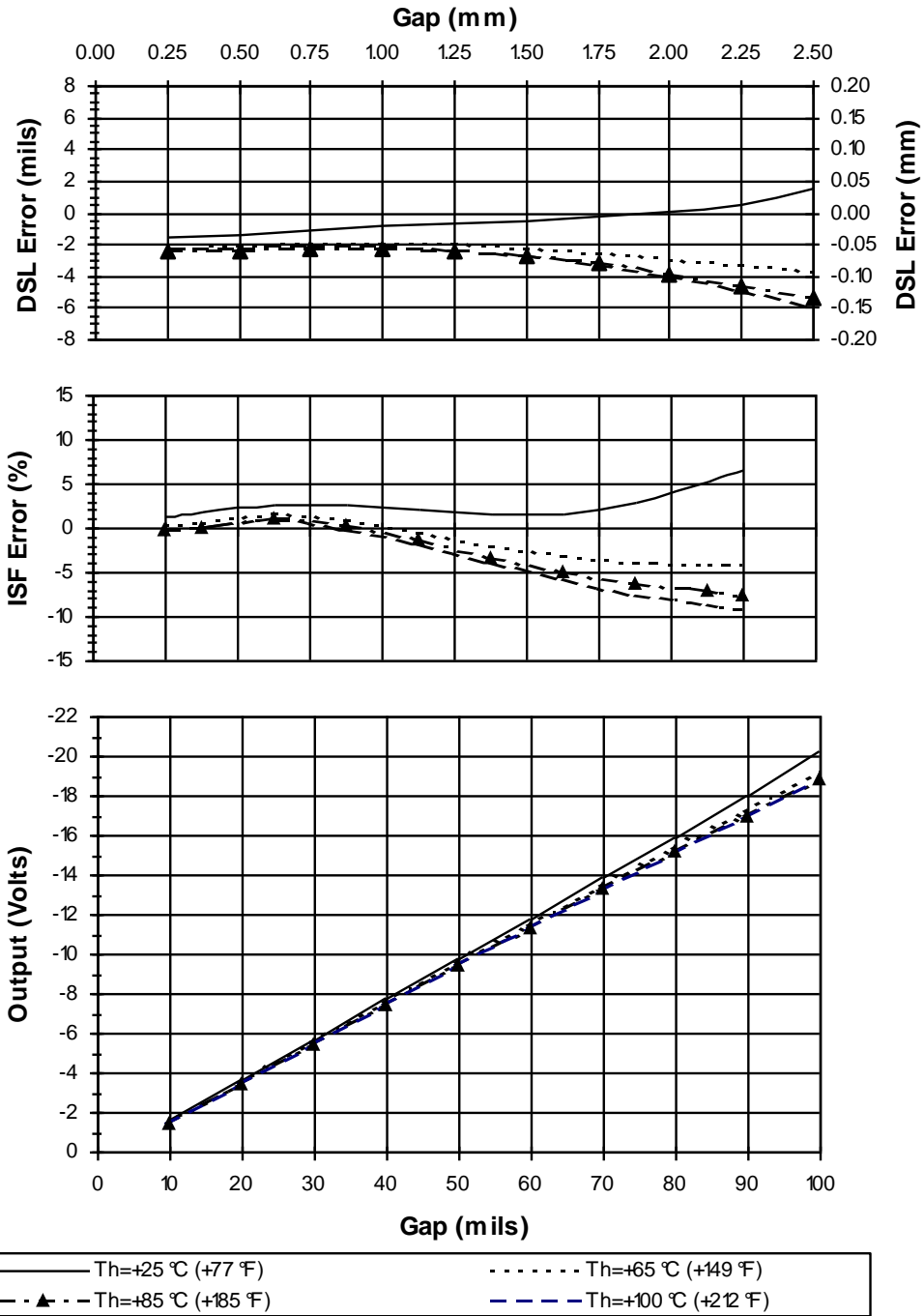


Figure 7: Typical 3300 XL 8mm 9m Proximity Sensor with 8m Extension Cable at T<sub>h</sub> (Probe is at 25 °C)

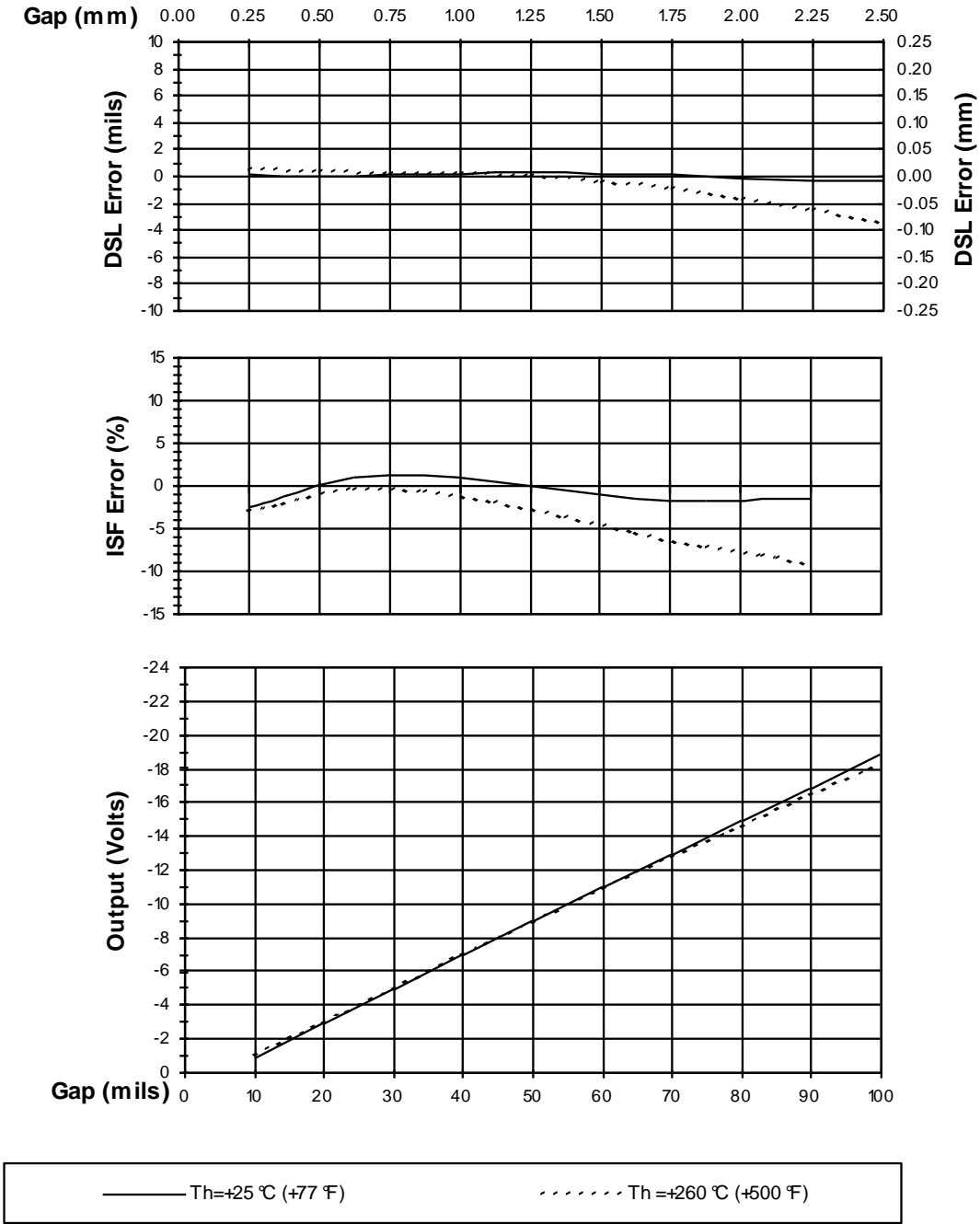


Figure 8: Typical 3300 XL Extended Temperature Range Probe and 4m Extended Temperature Range Extension Cable at  $T_h$  (Proximitor Sensor and Probe Tip with 1-foot Cable are at +25 °C)

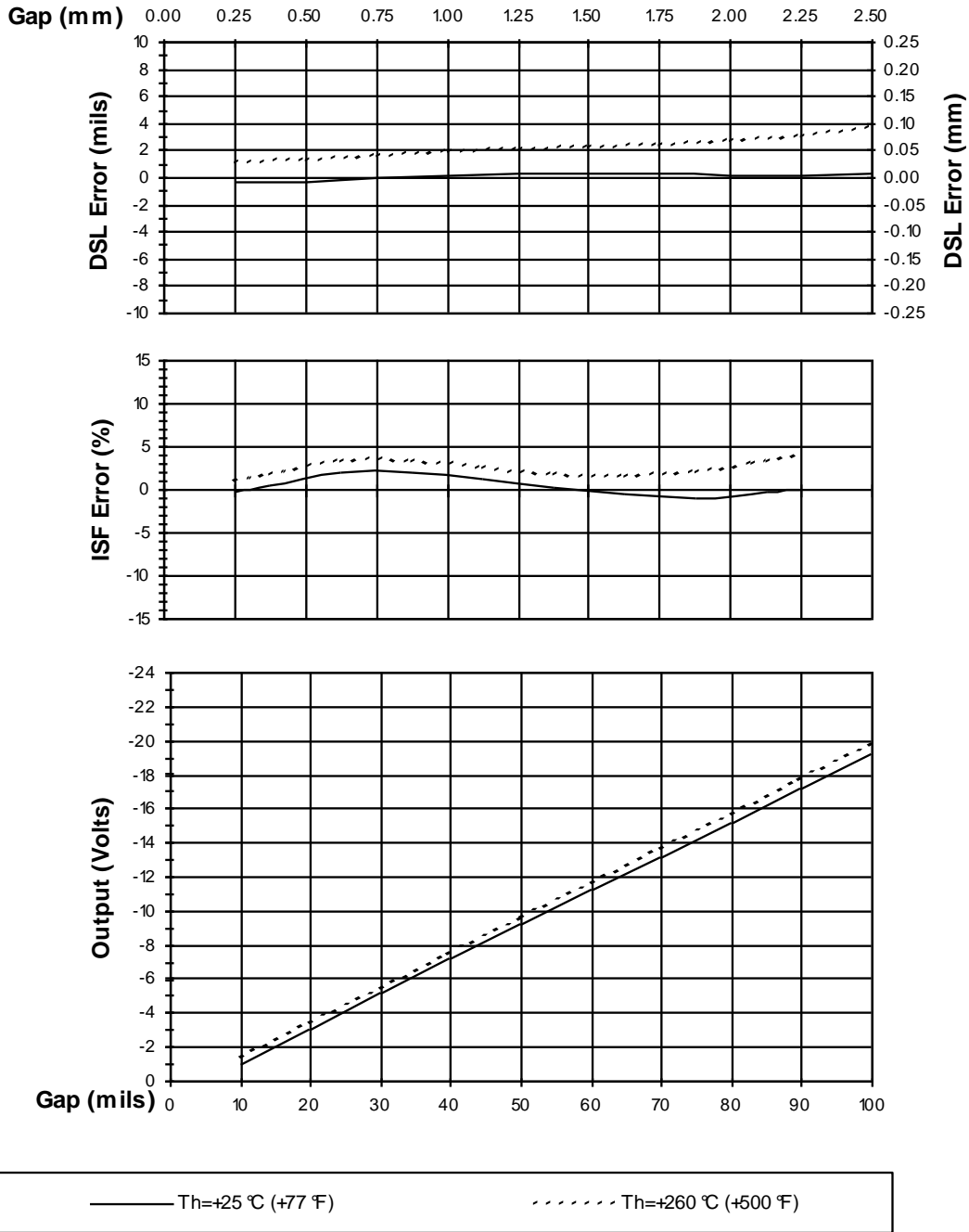


Figure 9: Typical 3300 XL Extended Temperature Range Probe and 8m Extended Temperature Range Extension Cable at  $T_h$  (Proximitor Sensor and Probe Tip with 1-foot Cable are at +25 °C)

### Frequency Response to Different Field Wiring Lengths without Barriers (5 m System)

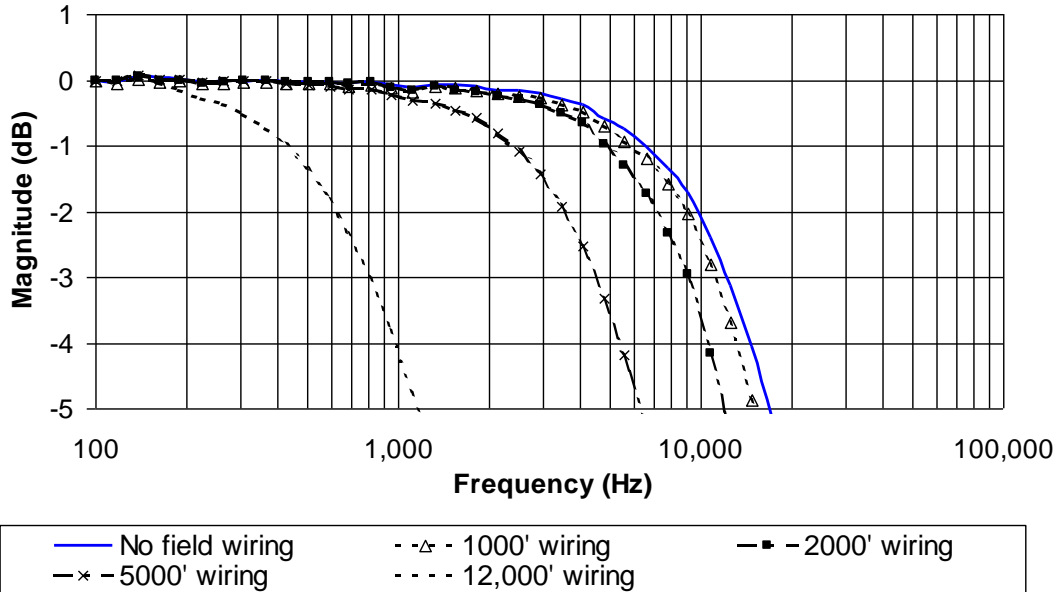


Figure 10: Frequency Response, Typical 3300 XL 8mm 5m or 1m System with Varying Lengths of Field Wiring Attached, No Barriers

### Phase Response with Different Field Wiring Lengths, No Barriers (5 m System)

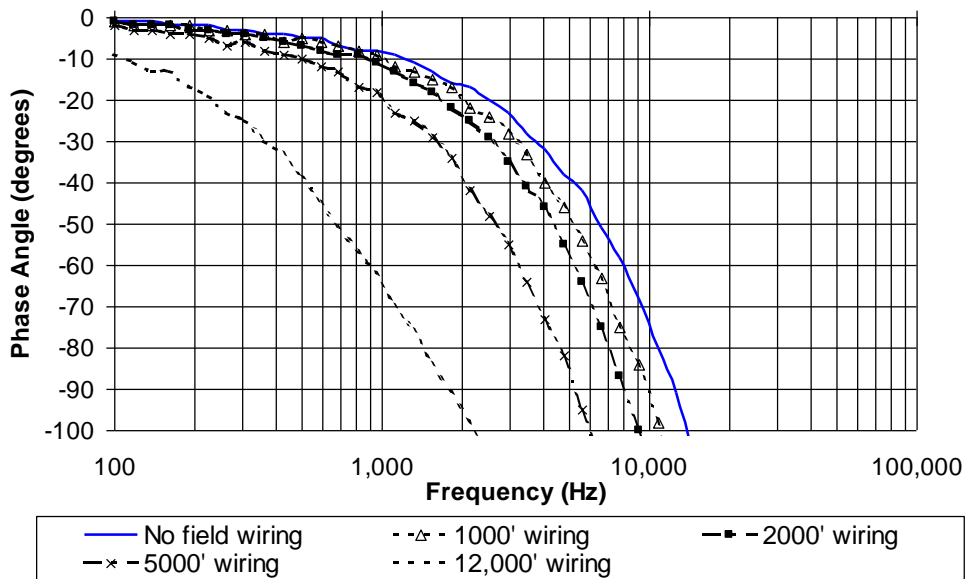


Figure 11: Phase Response, Typical 3300 XL 8mm 5m or 1m System with Varying Lengths of Field Wiring Attached, No Barriers

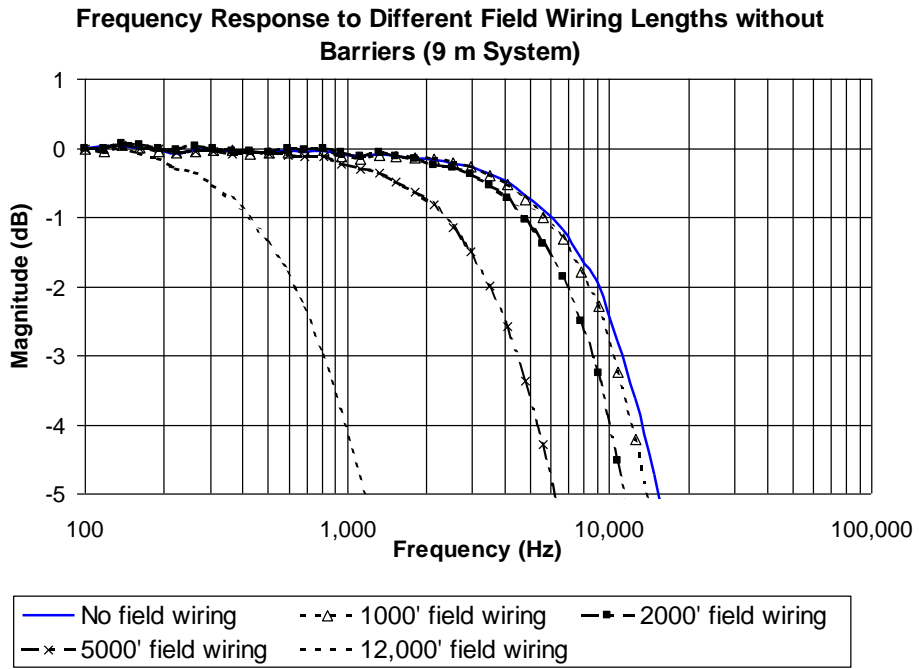


Figure 12: Frequency Response, Typical 3300 XL 8mm 9m System with Varying Lengths of Field Wiring Attached, No Barriers

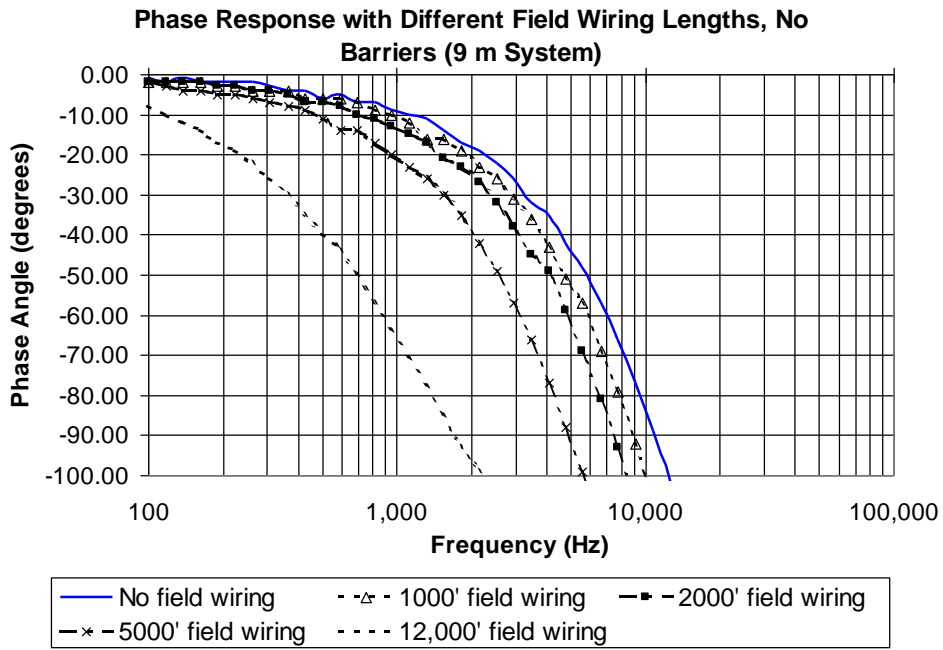
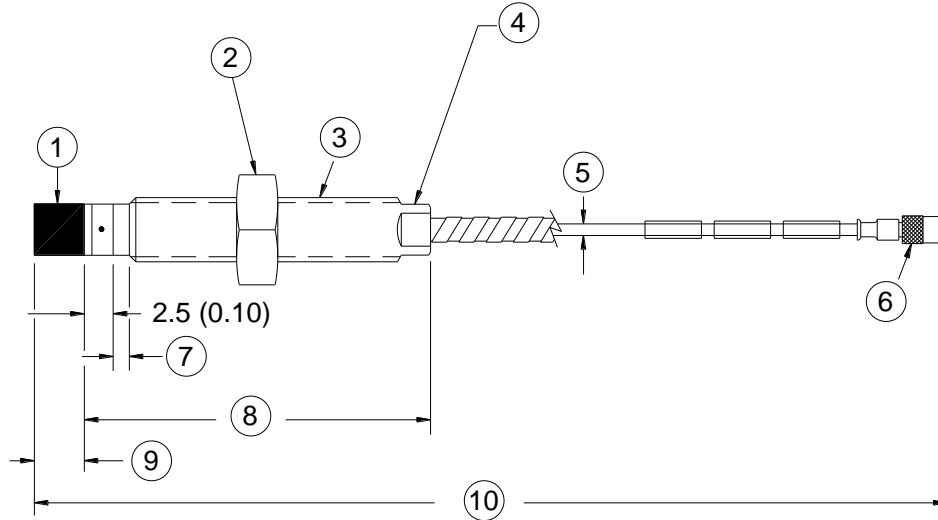


Figure 13: Phase Response, Typical 3300 XL 8mm 9m System with Varying Lengths of Field Wiring Attached, No Barriers

## Figures

Note: All dimensions shown in millimetres (inches) except as noted.



1. Probe tip, 8.0 mm (0.31 in) diameter
2. 9/16 in for 3/8-24 threads, M17 for M10 threads (see Note 2)
3. Case thread
4. 5/16 in wrench flats for 3/8-24 threads; 8mm wrench flats for M10 threads.
5. 75Ω cable, 3.68 mm (0.145 in) maximum outside diameter, 3.94 mm (0.155 in) maximum outside diameter for FluidLoc cable, 7.67 mm (0.302 in) outside diameter of armor, 9.5 mm (0.38 in) maximum diameter of armor ferrule
6. Miniature male coaxial connector, 7.24 mm (0.285 in) maximum outside diameter "D"
7. Unthreaded length "A"
8. Case length "B"
9. 6.0 mm (0.235 in) maximum
10. Total length "C", +30%, -0%<sup>3</sup>

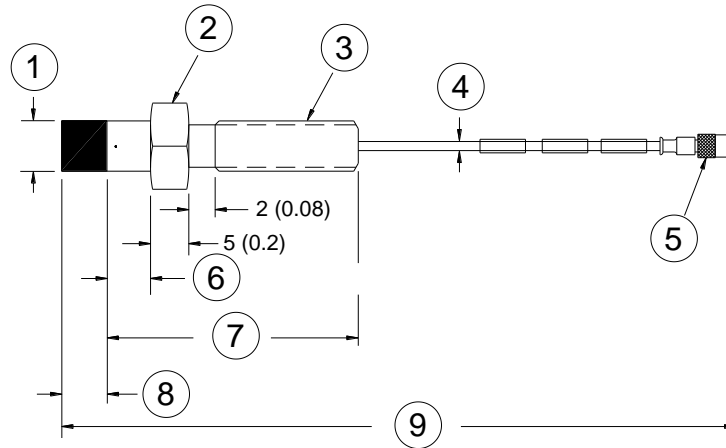
**Figure 14: 3300 XL 8mm Proximity Probes, Standard Mount**

330101 and 330191, 3/8-24 UNF-2A, without armor <sup>7</sup>

330102 and 330192, 3/8-24 UNF-2A, with armor <sup>6</sup>

330103 and 330193, M10X1 thread, without armor <sup>7</sup>

330104 and 330194, M10X1 thread, with armor <sup>6</sup>

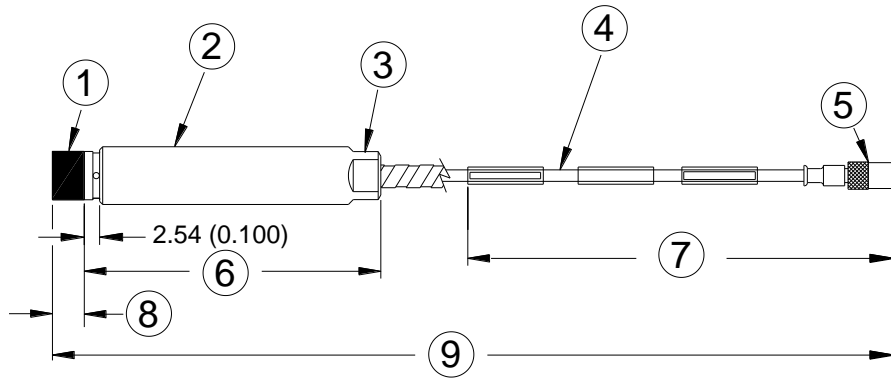


1. Probe tip, 8.0 mm (0.31 in) diameter
2. 7/16 in or M10 hexagonal
3. Case thread
4. 75Ω cable, 3.68 mm (0.145 in) outside diameter
5. Miniature male coaxial connector, 7.24 mm (0.285 in) maximum outside diameter "D"
6. Unthreaded length "A", 5.0 mm (0.20 in)
7. Case length "B", 30 mm (1.2 in)
8. 6.0 mm (0.235 in) maximum
9. Total length "C", +30%, -0%<sup>3</sup>

**Figure 15: 3300 XL 8mm Proximity Probes, Reverse Mount 4, 7**

330105 and 330195, 3/8-24 UNF-2A threads

330106 and 330196, M10X1 threads

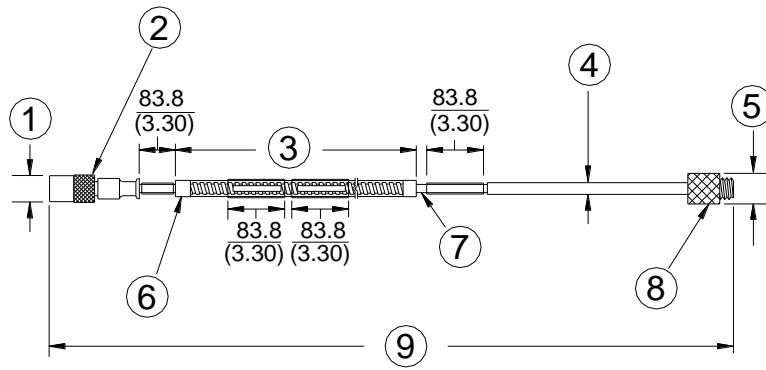


1. Probe tip, 8 mm (0.31 in) diameter
2. 9.66 mm (0.38 in) maximum diameter
3. 5/16 in wrench flats, 4 each
4. 75Ω cable, 3.68 mm (0.145 in) maximum diameter, 3.94 mm (0.155 in) maximum diameter for FluidLoc cable, 7.67 mm (0.302 in) outside diameter with armor, 10.2 mm (0.4 in) maximum diameter for armor ferrule
5. Miniature male coaxial connector, 7.24 mm (0.285 in) maximum outside diameter "D"
6. Case length "A",
7. 349.3 (13.75) max. distance
8. 6.0 mm (0.235 in) maximum
9. Total length "C", +30%, -0%<sup>3</sup>

**Figure 16: 3300 XL 8mm Proximity Probes, Smooth Case**

330140 and 330197, without armor <sup>7</sup>

330141 and 330198, with armor <sup>6</sup>

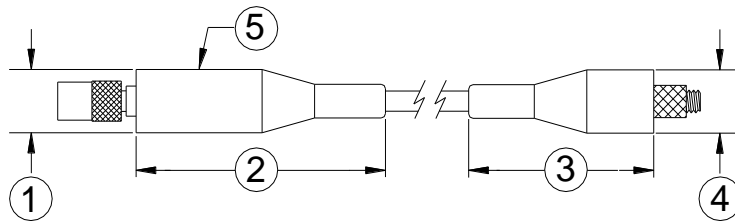


1. 7.24 mm (0.285 in) maximum diameter
2. Miniature male coaxial connector
3. FEP or PFA coated armor, armor length 300 mm (11.8 in) less than cable length (see Note 6)
4. 75Ω cable, 3.7 mm (0.15 in) maximum outside diameter, 3.94 mm (0.155 in) maximum diameter for FluidLoc cable, 7.67 mm (0.302 in) maximum outside diameter of armor, 10.2 mm (0.40 in) maximum diameter of armor ferrule
5. 7.24 mm (0.285 in) maximum diameter
6. Stainless steel ferrules, 10.2 mm (0.40 in) max diameter
7. FEP or PFA insulated triaxial cable
8. Miniature female coaxial connector
9. Cable length, +20%, -0%

**Figure 17: Extension Cable without Connector Protectors**

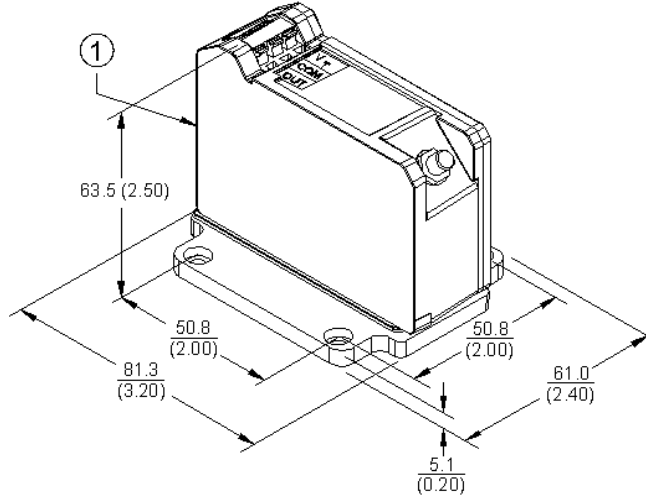
330130, 3300 XL Extension Cable (FEP Armor and Insulation)

330190, 3300 XL ETR Extension Cable (PFA Armor and Insulation)



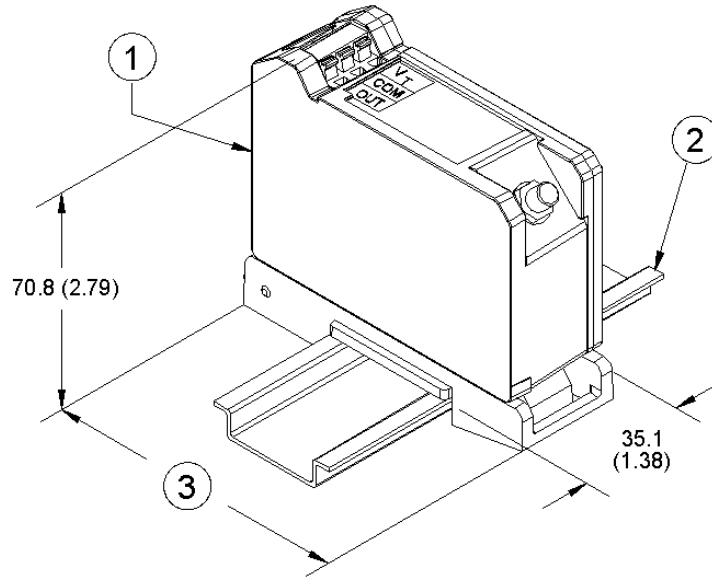
1. 12.4 mm (0.49 in) maximum diameter
2. 51.1 mm (2.01 in) maximum
3. 36.3 mm (1.43 in) maximum.
4. 12.4 mm (0.49 in) maximum diameter
5. Connector protector (fluorosilicone material) only installed on female end when optioned. Both ends available as accessories.

**Figure 18: Extension Cable with Connector Protectors**



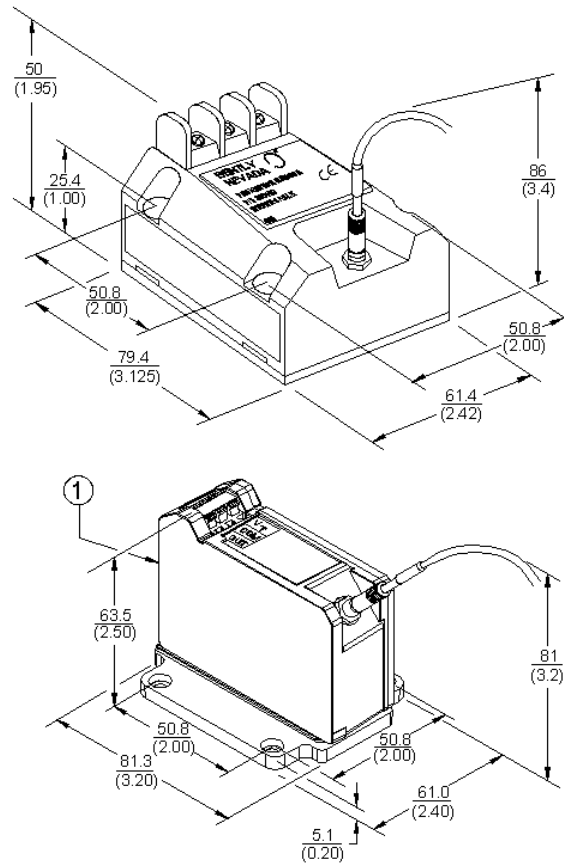
1. Mounting option "A", Options -50 or -90

**Figure 19: Panel Mount 3300 XL Proximity Sensor**



1. Mounting option "A", Options -51 or -91
2. 35mm DIN rail (not included)
3. 89.4 mm (3.52 in). Additional 3.05 mm (0.120 in) clearance required to remove DIN rail.

**Figure 20: DIN Mount 3300 XL Proximity Sensor**



1. Mounting option "A", Options -50 or -90

**Figure 21: Physical Mounting Characteristics Showing Interchangeability of 3300 and 3300 XL Proximitors Sensors when 4-hole Mounting Option Is Used<sup>8</sup>**

**Figure Notes:**

1. All dimensions on figures are in millimetres (inches) unless otherwise noted.
2. Standard mount 8 mm probes supplied with M17 or 9/16 inch lock nut.
3. Probes ordered with 5 or 9 metre integral cables have a length tolerance of +20%, -0%.
4. Reverse mount probes not available with armor or connector protector options.
5. Letters inside quotation marks on figures refer to probe ordering options.
6. Stainless steel armor is supplied with FEP outer jacket for standard probes, PFA outer jacket for ETR probes.
7. FEP jacket is standard non-armored portion of the cable for standard probes, PFA jacket on non-armored portion for ETR probes.
8. Use M3.5 or #6 screws for panel-mount Proximitors Sensors (screws provided when purchasing Bently Nevada housings).

\* Denotes a trademark of Bently Nevada, Inc., a wholly owned subsidiary of General Electric Company.

Viton is a trademark of E. I. Du Pont de Nemours and Company.

© 1999-2015 Bently Nevada, Inc. All rights reserved.

Printed in USA. Uncontrolled when transmitted electronically.

1631 Bently Parkway South, Minden, Nevada USA 89423

Phone: 775.782.3611 Fax: 775.215.2873

[www.GEmeasurement.com](http://www.GEmeasurement.com)

# CONTACT US & SUPPORT

NEED A QUOTE OR TECHNICAL PARTS REPLACEMENT?

---

**Company Name:** [PLC ProTech Ltd.](#)

**Online Support:** [www.plcprotech.com](http://www.plcprotech.com) (Click to Visit)

**Inquiry Email:** [sales@plcprotech.com](mailto:sales@plcprotech.com)

**Direct Hotline:** +86 18046317198

## Our Service Guarantee:

- 100% Brand New Original & Factory Sealed Components
- 12-Month Quality Warranty on All Industrial Parts
- Worldwide Same-Day Fast Dispatch via DHL / FedEx

[SUBMIT ONLINE RFQ \(REQUEST FOR QUOTE\) >>](#)