

3500/42M Proximator Seismic Monitor

Datasheet

Cordant™

143694 Rev. AE

Description

The Bently Nevada™ 3500/42M Proximator Seismic Monitor:

- Protects machinery by continuously comparing monitored parameters against configured alarm setpoints to drive alarms.
- Communicates essential machine information to both operations and maintenance personnel.

The 3500/42M Proximator Seismic Monitor is a four-channel monitor that accepts input from proximity and seismic transducers. It conditions the signal to provide vibration and position measurements and compares the conditioned signals with user-programmable alarms.

You can program each channel using the 3500 Rack Configuration Software to monitor and report:

- | | | |
|--------------------|------------------------------|-------------------|
| - Radial vibration | - REBAM | - Thrust position |
| - Acceleration | - Differential expansion | - Shaft absolute |
| - Eccentricity | - Circular acceptance region | - Velocity |



The monitor channels are programmed in pairs and can perform up to two of the listed functions at a time. For example, Channels 1 and 2 can perform one function while channels 3 and 4 perform another or the same function.

Each channel, depending on configuration, typically conditions its input signal to generate various parameters called **static values**. You can configure **alert setpoints** for each active static value and danger setpoints for any two of the active static values.



3500/42M Proximitors Seismic Monitor
 Datasheet

143694 Rev. AE

Specifications

Inputs

Signal	Accepts from 1 to 4 proximity, velocity or acceleration transducer signals
Power consumption	7.7 watts, typical
Input Impedance	
Standard I/O	10 kΩ (Proximitors and acceleration inputs)

Sensitivity

Radial Vibration	3.94 mV/μm (100 mV/mil) or 7.87 mV/μm (200 mV/mil)
Thrust	3.94 mV/μm (100 mV/mil) or 7.87 mV/μm (200 mV/mil)
Eccentricity	3.94 mV/μm (100 mV/mil) or 7.87 mV/μm (200 mV/mil)
Differential Expansion	0.394 mV/μm (10 mV/mil) or 0.787 mV/μm (20 mV/mil)
REBAM	40 mV/μm (1000 mV/mil) or 80 mV/μm (2000 mV/mil)
Acceleration & Acceleration ²	10 mV/ (m/s ²) (100 mV/g)
Velocity & Velocity ²	20 mV/ (mm/s) pk (500 mV/ (in/s) pk) or 5.8 mV/ (mm/s) pk (145 mV/ (in/s) pk) or 4 mV/ (mm/s) pk (100 mV/ (in/s) pk)
Shaft Absolute, Radial Vibration	3.94 mV/μm (100 mV/mil) or 7.87 mV/μm (200 mV/mil)
Shaft absolute, Direct	3.94 mV/μm (100 mV/mil) or 7.87 mV/μm (200 mV/mil)

Shaft absolute, Velocity	20 mV/ (mm/s) pk (500 mV/ (in/s) pk) or 5.8 mV/ (mm/s) pk (145 mV/ (in/s) pk) or 4 mV/ (mm/s) pk (100 mV/ (in/s) pk)
Circular Acceptance Region	See Radial Vibration on page 4.

3500/42M Proximitor Seismic Monitor
 Datasheet

143694 Rev. AE

Outputs

Front Panel LEDs	
OK LED	Indicates when the 3500/42M Proximitor Seismic Monitor is operating properly.
TX/RX LED	Indicates when the 3500/42M Proximitor Seismic Monitor is communicating with other modules in the 3500 rack.
Bypass LED	Indicates when the 3500/42M Proximitor Seismic Monitor is in Bypass Mode.
Buffered Transducer Outputs	The front of each monitor has one coaxial connector for each channel. Each connector is short-circuit protected.
Output Impedance	550 Ω
Transducer Power Supply	-24 Vdc
Recorder	+4 to +20 mA Values are proportional to monitor full-scale. The monitor provides individual recorder values for each channel. Monitor operation is unaffected by short circuits on recorder outputs.
Voltage Compliance (current output)	0 to +12 Vdc range across load Load resistance is 0 to 600 Ω.

Front Panel LEDs	
Resolution	0.3662 μA per bit ±0.25% error at room temperature ±0.7% error over temperature range Update rate approximately 100 ms or less
Shaft Absolute Buffered Outputs	The Shaft Absolute I/O modules have one output for each channel group. Each output is short-circuit protected.
Shaft Absolute Output Impedance	300 Ω
Output supply parameters	See Output Supply Parameters on page 14.

3500/42M Proximator Seismic Monitor
 Datasheet

143694 Rev. AE

Signal Conditioning

Specified at +25 °C (+77 °F) unless otherwise noted.

Radial Vibration

Frequency Response

Direct filter	User-programmable Single-pole -3db at 4 Hz to 4000 Hz or 1 Hz to 600 Hz ± 1% accuracy
Gap filter	-3 dB at 0.09 Hz
Not 1X filter	60 cpm to 15.8 times running speed Constant Q notch filter Minimum rejection in stopband of -34.9 dB
Smax	0.125 to 15.8 times running speed
1X and 2X vector filter	Constant Q Filter Minimum rejection in stopband of -57.7 dB



1X and 2X Vector, Not 1X, and Smax parameters are valid for machine speeds of 60 cpm to 60,000 cpm.

Accuracy

Direct and Gap	Exclusive of filtering Within ±0.33% of full-scale typical ±1% maximum
1X and 2X	Within ±0.33% of full-scale typical ±1% maximum
Smax	Within ±5% maximum
Not 1X	±3% for machine speeds less than 30,000 cpm ±8.5% for machine speeds greater than 30,000 cpm

Thrust and Differential Expansion

Accuracy	Within ±0.33% of full-scale typical ±1% maximum
Frequency Response	
Direct filter	-3 dB at 1.2 Hz
Gap filter	-3 dB at 0.41 Hz

3500/42M Proximator Seismic Monitor
 Datasheet

143694 Rev. AE

Eccentricity

Accuracy	Within ±0.33% of full-scale typical ±1% maximum
Frequency Response	
Direct filter	-3 dB at 15.6 Hz
Gap filter	-3 dB at 0.41 Hz

Acceleration

Accuracy	Within ±0.33% of full-scale typical ±1% maximum Exclusive of filters
Filter Quality	
High-pass	4-pole (80 dB per decade, 24 dB per octave)
Low-pass	4-pole (80 dB per decade, 24 dB per octave)

Table 2: Frequency Ranges if a Single Channel of a Channel Pair is Enabled

Single Channel Frequency Response		
Output Type	Without Filter Low or High Pass Filter	With Integration
RMS	10 to 30,000 Hz	10 to 14,500 Hz
Peak	3 to 30,000 Hz	10 to 14,500 Hz

Table 1: Frequency Ranges if Both Channels of a Channel Pair are Enabled

Dual Channel Frequency Response			
Output Type	Without Filter	Low or High Pass Filter	With Integration
RMS	10 to 30,000 Hz	10 to 9,155 Hz	10 to 9,155 Hz
Peak	3 to 30,000 Hz	3 to 9,155 Hz	10 to 9,155 Hz

3500/42M Proximitor Seismic Monitor
 Datasheet

143694 Rev. AE

Acceleration II

Accuracy	Within ± 0.33% of full scale typical ± 1% maximum Exclusive of filters
Filter Quality	
High-pass	4-pole (80 dB per decade, 24 dB per octave)
Low-pass	4-pole (80 dB per decade, 24 dB per octave)
Frequency Response	
Bias filter	-3 dB at 0.01 Hz
Not OK filter	-3 dB at 2400 Hz
1X and 2X vector filter	Valid for machine speeds of 60 cpm to 100,000 cpm

Table 3: Frequency Ranges for the 3500/42M Proximitor Seismic Monitor under Different Options using the Acceleration II Channel Type

Frequency Ranges		
Output Type	Without Filter Low or High Pass Filter	With Integration
RMS	10 to 30,000 Hz	10 to 20,000 Hz
Peak	3 to 30,000 Hz	10 to 20,000 Hz

Velocity and Velocity II

Accuracy	Within ±0.33% of full-scale typical ±1% maximum +1% -3% with MTL 764(-) Zener External Barrier Exclusive of filters
Velomitor sensor accuracy	Full Scale 0-0.5: ±3% typical Full Scale 0-1.0: ±2% typical Full Scale 0-2.0: ±1% typical
Velomitor sensor accuracy with barriers	Under radiated immunity conditions, add ± 11% for all full scale ranges. The total Velomitor sensor accuracy will be ± 15%.
Frequency Response	
Bias	-3dB at 0.01 Hz Velocity II only
Not OK filter	-3 dB at 40 Hz Velocity II only
RMS	10 to 5,500 Hz, -3 dB
Peak or peak-to-peak	3 to 5,500 Hz, -3 dB
1X and 2X vector filter	Valid for machine speeds of 60 to 100,000 cpm Velocity II only

Filter Quality	
High-pass	4-pole (80 dB per decade, 24 dB per octave)
Low-pass	2-pole (40 dB per decade, 12 dB per octave)

3500/42M Proximator Seismic Monitor
 Datasheet

143694 Rev. AE

Shaft Absolute, Radial Vibration

Frequency Response

Direct filter	User-programmable 4 Hz to 4000 Hz or 1 Hz to 600 Hz
Gap filter	-3 dB at 0.09 Hz
1X vector filter	Valid for machine speeds of 240 cpm to 60,000 cpm

Accuracy

Direct and gap	Within ±0.33% of full-scale typical ±1% maximum
1X	Within ±0.33% of full-scale typical ±1% maximum

Shaft Absolute, Velocity

Accuracy	Within ±0.33% of full scale typical ±1% maximum Exclusive of filters
----------	---

Frequency Response

Peak or peak-to-peak	User-programmable 3 to 4,000 Hz, -3 dB
----------------------	---

Filter Quality

High-pass	2-pole (40 dB per decade, 12 dB per octave)
Low-pass	2-pole (40 dB per decade, 12 dB per octave)
1X vector filter	Constant Q Filter Minimum rejection in stopband of -57.7 dB

Shaft Absolute Buffered Output

Accuracy	±6.0% @ 25 C
Circular acceptance region	See Radial Vibration on page 4.

REBAM

Frequency Response

Spike	User-programmable from 0.152 to 8678 Hz
Element	User-programmable for BPFO ranging from 0.139 to 3836 Hz High-pass corner is 0.8x BPFO. Low-pass corner is 2.2x BPFO.
Rotor	User programmable from 0.108 to 2221 Hz
Direct	Programmable from 3.906 to 14.2 Hz Selection is determined by Spike and Rotor filters.
Gap	Programmable from 0.002 to 1.0 Hz Selection is determined by the Rotor filter.
1X vector filter	The range of shaft speeds for which the value is valid depends on the nominal shaft speed for which the channel is configured.

3500/42M Proximator Seismic Monitor
 Datasheet

143694 Rev. AE

Table 4: Summary of the Relationship between Nominal Shaft Speed and the Valid Speed Range

Nominal Shaft Speed (Hz)	Valid Speed Range (Hz)
10 to <126	0.071 to 160
126 to <252	0.133 to 330
252 to <504	0.25 to 660
504 to 584	0.50 to 750



If a multi-event gear or speed wheel generates the speed input, the upper limitation of the resultant input signal is approximately 20 KHz.

Filter Quality

Spike high-pass	6-pole Elliptic (155 dB per decade, minimum) Corner frequency is -0.1 dB.
Element bandpass	8-pole Butterworth (155 dB per decade minimum) Corner frequency is -3 dB.
Rotor low-pass	6-pole Elliptic (155 dB per decade, minimum) Corner frequency is -0.1 dB.
Rotor, direct high-pass	1-pole Butterworth (18 dB per decade, minimum) Corner frequency is -3 dB.
Spike, direct low-pass	Corner is -0.3 dB maximum.

Gap low-pass	1-pole Butterworth (18 dB per decade, minimum) Corner frequency is -3 dB.
1X amplitude	Constant Q of 16.67 Stopband frequencies are 0.91 and 1.09 times the running speed. Stopband attenuation is -51 dB minimum.

Accuracy

Amplitude	Within ±0.33% of full scale typical ±1% maximum when input signal is at the center frequency of the measured value's passband
Phase	3 degrees error, maximum
Channels enabled	You can use certain configurations to enable only one channel of a channel pair. See REBAM Channels on page 23.

Filter Tracking / Stepping (Requires a valid speed signal)

Initial condition	Nominal filter set used
Switch from nominal to lower filter set	Current shaft speed ≤ 0.9 x (nominal shaft speed)
Switch from lower to nominal filter set	Current shaft speed ≥ 0.95 x (nominal shaft speed)

3500/42M Proximator Seismic Monitor
 Datasheet

143694 Rev. AE

Filter Tracking / Stepping (Requires a valid speed signal)

Switch from nominal to higher filter set	Current shaft speed $\geq 1.1 \times$ (nominal shaft speed)
Switch from higher to nominal filter set	Current shaft speed $\leq 1.05 \times$ (Nominal Shaft Speed)
Shaft speed error condition	Nominal filter set used

Environmental Limits

Operating Temperature	When used with Internal/External Termination I/O Module: -30°C to +65°C (-22°F to +150°F)
	When used with Internal Barrier I/O Module (Internal Termination): 0°C to +65°C (32°F to +150°F)
Storage Temperature	-40°C to +85°C (-40°F to +185°F).
Humidity	95%, noncondensing

Physical

Monitor Module (Main Board)

Dimensions (Height x Width x Depth)	241.3 mm x 24.4 mm x 241.8 mm (9.50 in x 0.96 in x 9.52 in)
Weight	0.91 kg (2.0 lb)

I/O Modules (non-barrier)

Dimensions (Height x Width x Depth)	241.3 mm x 24.4 mm x 99.1 mm (9.50 in x 0.96 in x 3.90 in)
Weight	0.20 kg (0.44 lb)

I/O Modules (barrier)

Dimensions (Height x Width x Depth)	241.3 mm x 24.4 mm x 163.1 mm (9.50 in x 0.96 in x 6.42 in)
Weight	0.46 kg (1.01 lb)

Rack Space Requirements

Monitor	1 full-height front slot
I/O Modules	1 full-height rear slot

Barrier Parameters

The following parameters apply to CSA-NRTL/C and ATEX approvals.

Proximator Barrier

Circuit Parameters	V _{max} (PWR) = 26.80 V (SIG) = 14.05 V I _{max} (PWR) = 112.8 mA (SIG) = 2.82 mA R _{min} (PWR) = 237.6 Ω (SIG) = 4985 Ω
--------------------	--

Channel Parameters (entity)	V _{max} = 28.0 V I _{max} = 115.62 mA R _{min} (PWR) = 237.6 Ω (SIG) = 4985 Ω
-----------------------------	---

Seismic Barrier

Circuit Parameters	V _{max} (PWR) = 27.25 V I _{max} (PWR) = 91.8 mA R _{min} (PWR) = 297 Ω
--------------------	--

Channel Parameters (entity)	V _{max} = 27.25 V I _{max} = 91.8 mA R _{min} (PWR) = 297 Ω
-----------------------------	--

3500/42M Proximator Seismic Monitor
 Datasheet

143694 Rev. AE

Alarms

Alarm Setpoints	<p>Use Rack Configuration Software to set alert levels for each value measured by the monitor and danger setpoints for any two of the values measured by the monitor.</p> <p>Alarms are adjustable from 0 to 100% of full-scale for each measured value. However, when the full-scale range exceeds the range of the transducer, the range of the transducer will limit the setpoint.</p>
Accuracy of alarm setpoints	Within 0.13% of the desired value

REBAM	
Alert	From the calculated minimum value to 400 seconds in one second intervals
Danger	From the calculated minimum value to 400 seconds in 0.5 second intervals

Alarm Time Delays

You can program alarm delays using Rack Configuration Software.

For all channel pair types excluding Shaft Absolute Velocity and REBAM

Alert	From one to 60 seconds in one second intervals
Danger	0.1 seconds or from one to 60 seconds in 0.5 second intervals

Shaft Absolute Velocity

Alert	From one to 60 seconds in one second intervals
Danger	0.1 seconds or from one to 60 seconds in 0.5 second intervals

3500/42M Proximator Seismic Monitor
 Datasheet

143694 Rev. AE

Static Values

Static values are measurements used to monitor the machine. The 3500/42M Proximator Seismic Monitor returns the following static values:

Radial Vibration	Direct, Gap, 1X Amplitude, 1X Phase Lag, 2X Amplitude, 2X Phase Lag, Not 1X Amplitude and Smax Amplitude
Thrust Position	Direct, Gap
Differential Expansion	Direct, Gap
Eccentricity	Peak-to-peak, Gap, Direct Minimum, Direct Maximum
REBAM	Spike, Element, Rotor, Direct, Gap, 1X Amplitude, 1X Phase Lag
Acceleration	Direct Defined as one of the following: RMS Acceleration, Peak Acceleration, RMS Velocity, Peak Velocity, Band-pass peak Acceleration, or Band-pass peak Velocity
Acceleration II	Direct, 1X Amplitude and 2X Amplitude Defined as one of the following: RMS Acceleration, Peak Acceleration, RMS Velocity, Peak Velocity, Band-pass peak Acceleration, or Band-pass peak Velocity Additionally, 1X Phase, 2X Phase and Bias Voltage

Velocity	Direct Defined as one of the following: RMS Velocity, Peak Velocity, peak-to-peak Displacement, Band-pass peak Velocity, Band-pass, or Peak-to-peak Displacement
Velocity II	Direct, 1X Amplitude and 2X Amplitude Defined as one of the following: RMS Velocity, Peak Velocity, peak-to-peak Displacement, Band-pass peak Velocity, Band-pass, or Peak-to-peak Displacement Additionally, 1X Phase, 2X Phase and Bias Voltage
Shaft Absolute, Radial Vibration and Shaft Absolute, Velocity	Direct, Gap, 1X Amplitude, 1X Phase Lag
Circular Acceptance Region	Direct, Gap, 1X Amplitude, 1X Phase Lag, 1X Circular Acceptance Radius, 2X Amplitude, 2X Phase Lag, 2X Circular Acceptance Radius

3500/42M Proximator Seismic Monitor
Datasheet

143694 Rev. AE

Compliance and Certifications

FCC

This device complies with part 15 of the FCC Rules. Operation is subject to the following two conditions:

- This device may not cause harmful interference.
- This device must accept any interference received, including interference that may cause undesired operation.

EMC

European Community Directive:

EMC Directive 2014/30/EU

Standards:

EN 61000-6-2 Immunity for
Industrial Environments
EN 61000-6-4 Emissions for
Industrial Environments

Electrical Safety

European Community Directive:

LV Directive 2014/35/EU

Standards:

EN 61010-1

RoHS

European Community Directive:

RoHS Directive 2011/65/EU

China RoHS

Cables associated with the product(s) mentioned in this datasheet have an EFUP designation of 15 years, in accordance with SJ/T 11364-2024.



Maritime

ABS-Marine and Offshore Applications

DNV GL Rules for Classification – Ships,
Offshore Units, and High Speed and Light
Craft

3500/42M Proximator Seismic Monitor
 Datasheet


143694 Rev. AE

Hazardous Area Approvals



For the detailed listing of country and product-specific approvals, refer to the [Approvals Quick Reference Guide \(108M1756\)](#).


For additional technical documentation, please log in to bntechsupport.com and access the Bently Nevada Media Library.

When used with I/O module ordering options with internal barriers	 <p>II 3(1) G Ex nA nC ic [ia Ga] IIC T4 Gc; Ex ec nC ic [ia Ga] IIC T4 Gc; T4 @ Ta= -20°C to +65°C (-4°F to +149°F) When installed per drawing 138547.</p>
---	--

cNRTLus

When used with I/O module ordering options without internal barriers	Class I, Zone 2: AEx/Ex nA nC ic IIC T4 Gc; Class I, Zone 2: AEx/Ex ec nC ic IIC T4 Gc; Class I, Division 2, Groups A, B, C, and D; T4 @ Ta= -20°C to +65°C (-4°F to +149°F) When installed per drawing 149243 or 149244.
When used with I/O module ordering options with internal barriers	Class I, Zone 2: AEx/Ex nA nC ic [ia Ga] IIC T4 Gc; Class I, Zone 2: AEx/Ex ec nC ic [ia Ga] IIC T4 Gc; Class I, Division 2, Groups A, B, C, and D (W/ IS Output for Division 1) T4 @ Ta= -20°C to +65°C (-4°F to +149°F) When installed per drawing 138547.

ATEX/IECEx

When used with I/O module ordering options without internal barriers	 <p>II 3 G Ex nA nC ic IIC T4 Gc; Ex ec nC ic IIC T4 Gc; T4 @ Ta= -20°C to +65°C (-4°F to +149°F) When installed per drawing 149243 or 149244.</p>
--	--

Output Supply Parameters

The following values are accurate regardless of external barrier connections.

I/O Part and Order Options	Description	Configuration	Supply Parameters		
			U (V)	I (mA)	P (W)
128229-01 A 01	Prox/Seismic I/O Module with Internal Terminations	Prox/Accel	23.9	45.5	1.09
		Velomitor	23.9	45.5	1.09
		Seismoprobe	6.82	2.75	0.02
128240-01 A 02	Prox/Seismic I/O Module with External Terminations	Prox/Accel	23.9	45.5	1.09
		Velomitor	23.9	45.5	1.09
		Seismoprobe	6.82	2.75	0.02
138708-01 A 07	Shaft Absolute I/O Module with Internal Terminations	Prox & Velomitor	23.9	45.5	1.09
		Prox & Seismoprobe	6.82	45.5	0.31
138700-01 A 08	Shaft Absolute I/O Modules with External Terminations	Prox & Velomitor	23.9	45.5	1.09
		Prox & Seismoprobe	6.82	45.5	0.31
140471-01 A 09	Prox/Velom I/O Module with Internal Terminations	Prox/Accel	23.9	45.5	1.09
		Velomitor	23.9	45.5	1.09
140482-01 A 10	Prox/Velom I/O Module with External Terminations	Prox/Accel	23.9	45.5	1.09
		Velomitor	23.9	45.5	1.09

3500/42M Proximator Seismic Monitor
Datasheet

143694 Rev. AE

Ordering Information



For the detailed listing of country and product-specific approvals, refer to the [Approvals Quick Reference Guide \(108M1756\)](#).

For additional technical documentation, please log in to bntechsupport.com and access the Bently Nevada Media Library.

Monitor 3500/42 - AA - BB

A: I/O Module Type

[See I/O Module Types on page 18.](#)

B: Hazardous Area Approval Option

00	None
01	cNRTLus (Class 1, Division 2)
02	ATEX / IECEx / CSA (Class 1, Zone 2)

External Termination Blocks

125808-02	Proximator ET Block Euro Style Connectors
128015-02	Proximator ET Block Terminal Strip Connectors
128702-01	Recorder External Termination Block Euro Style connectors
128710-01	Recorder External Termination Block Terminal Strip connectors
140993-01	Shaft Absolute External Termination Block Euro Style connectors
141001-01	Shaft Absolute External Termination Block Terminal Strip

125808-08	Proximator / Velomitor External Termination Block Euro Style connectors
128015-08	Proximator/Velomitor External Termination Block Terminal Strip connectors

Cables

3500 Transducer XDCR signal to External Termination Block Cable 129525 - AAAA - BB

A: I/O Cable Length

0005	5 feet (1.5 metres)
0007	7 feet (2.1 metres)
0010	10 feet (3.0 metres)
0025	25 feet (7.6 metres)
0050	50 feet (15.2 metres)
0100	100 feet (30.5 metres)

B: Assembly Instructions

01	Not Assembled
02	Assembled

External Termination Block Cable 129529 - AAAA- BB

A: I/O Cable Length

0005	5 feet (1.5 metres)
0007	7 feet (2.1 metres)
0010	10 feet (3.0 metres)
0025	25 feet (7.6 metres)
0050	50 feet (15.2 metres)
0100	100 feet (30.5 metres)

3500/42M Proximator Seismic Monitor
Datasheet

143694 Rev. AE

B: Assembly Instructions			
01	Not Assembled	140471-01	Prox/Velom I/O Module with internal terminations
02	Assembled	140482-01	Prox/Velom I/O Module with External Terminations
Spares			
176449-02	3500/42M Proximator Seismic Monitor	00561941	3500/42M Prox/Velom I/O Module 10-pin connector shunt
128229-01	Prox/Seismic I/O Module with internal terminations	00580434	Internal I/O Module connector header, Euro style, 8-pin Used on I/O modules 128229-01 and 138708-01
128240-01	Prox/Seismic I/O Module with external terminations	00580432	Internal I/O Module connector header, Euro style, 10-pin Used on I/O modules 128229-01 and 138708-01
00530843	3500/42M Prox/Seismic I/O Module four-pin connector shunt	00502133	Internal I/O Module connector header, Euro style, 12-pin
143489	3500/42M Monitor User Guide	166M2389	Connector header Push-in-Spring Type (Alternative for PN 00580434)
135489-01	I/O Module with Internal Barriers (internal terminations, 4 x Prox/Accel)	166M2388	Connector header Push-in-Spring Type (Alternative for PN 00580432)
135489-02	I/O Module with Internal Barriers (internal terminations, 2 x Prox/Accel and 2 x Velomitor)		
135489-03	I/O Module with Internal Barriers (internal terminations, 4 x Velomitor)		
138708-01	Shaft Absolute I/O Module with internal terminations		
138700-01	Shaft Absolute I/O Modules with external terminations		
00517018	3500/42M Shaft Absolute I/O Module 8-pin connector shunt		



For spare front and rear cover plates, please see 3500/05 System Rack datasheet (document 141525)

3500/42M Proximitors Seismic Monitor
 Datasheet

143694 Rev. AE

Firmware & Software Requirements

<p>3500/42M Proximitors Seismic Monitor</p>	<p>3500/01 software, version 2.50 or later 3500/02 software, version 2.20 or later 3500/03 software, version 1.21 or later</p>
<p>Internal Barrier I/O Modules</p>	<p>See the 3500 Internal Barrier datasheet (part number 141495-01)</p>
<p>Shaft Absolute</p>	<p>3500/42M Module Firmware, revision B 3500/01 Software, version 2.61 DM2000 Software, version 3.10 The 3500 Proximitors / Seismic Monitor, version M</p>
<p>REBAM</p>	<p>3500/40M Module Firmware – Revision 2.1 3500/01 Software, version 3.30 3500/02 Software, version 2.40 3500/03 Software, version 1.40 DM2000 Software, version 3.40 The 3500 Proximitors Monitor, version M</p>
<p>Acceleration II, Velocity II, Circular Acceptance Region</p>	<p>3500/42M Module Firmware, revision 2.10 3500/01 Software, version 3.20 DM2000 Software, version 3.30 The 3500 Proximitors Monitor, version M</p>

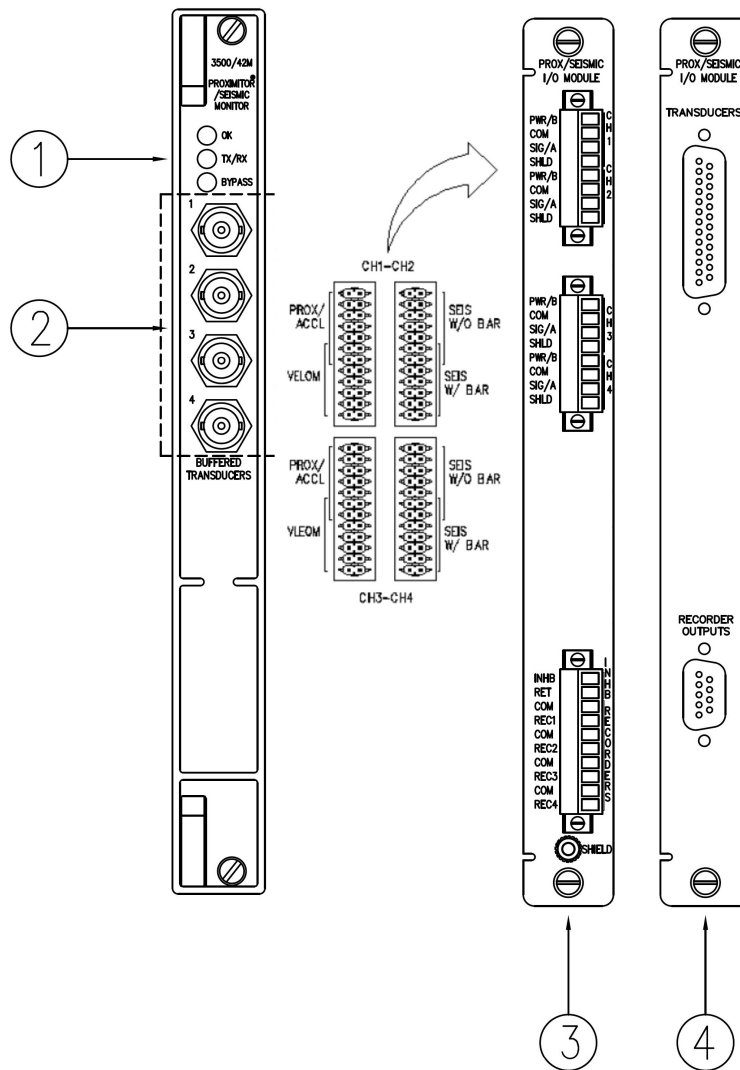
I/O Module Types

AA Ordering Option	I/O Part Number	I/O Description	Transducer Type
01	128229-01	Prox/Seismic I/O Module with internal terminations	Seismoprobe Prox/Accel and Velomitor are supported but are not recommended.
02	128240-01	Prox/Seismic I/O Module with external terminations	Seismoprobe Prox/Accel and Velomitor are supported but are not recommended.
04	135489-01	I/O Module with internal Barriers, internal terminations, 4 x Prox/Accel	Prox/Accel on channels 1 through 4
05	135489-02	I/O Module with internal barriers, internal terminations, 2 x Prox/Accel and 2 x Velomitor	Prox/Accel on channels 1 and 2 Velomitor on channels 3 and 4
06	135489-03	I/O Module with internal barriers, internal terminations, 4 x Velomitor	Velomitor on channels 1 through 4
07	138708-01	Shaft Absolute I/O Module with internal terminations	Prox/Accel or Velomitor or Seismorprobe
08	138700-01	Shaft Absolute I/O Modules with external terminations	Prox/Accel or Velomitor or Seismorprobe
09	140471-01	Prox/Velom I/O Module with internal terminations	Prox/Accel, Velomitor or HTVS
10	140482-01	Prox/Velom I/O Module with external terminations	Prox/Accel, Velomitor or HTVS



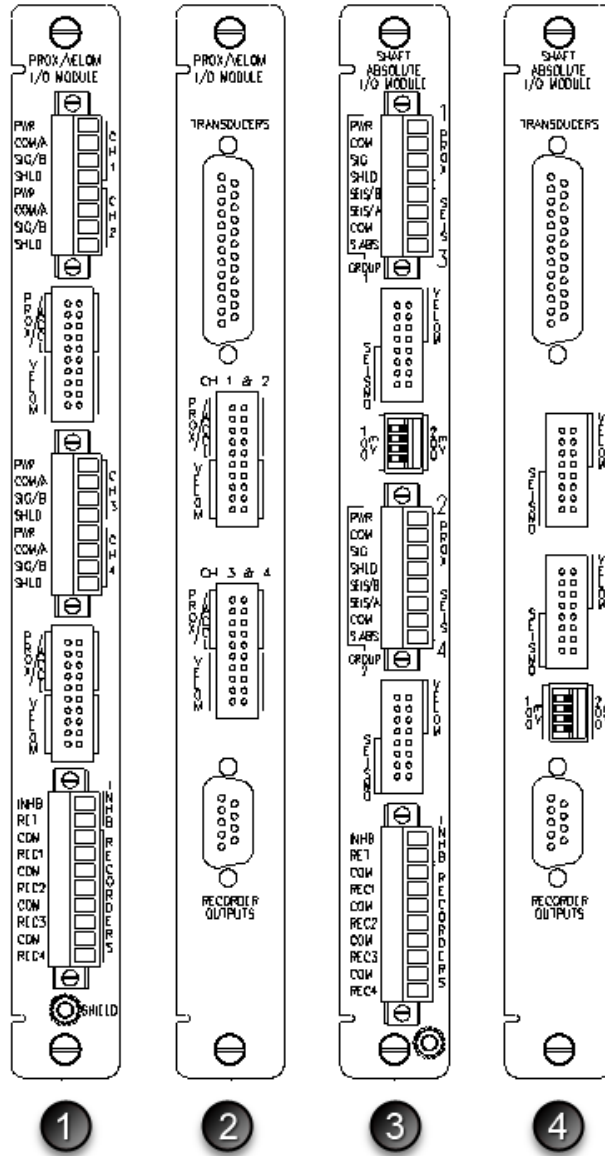
External termination blocks cannot be used with Internal Termination I/O Modules. When ordering I/O modules with external terminations, order the external termination blocks and cable separately for each I/O module.

Graphs and Figures



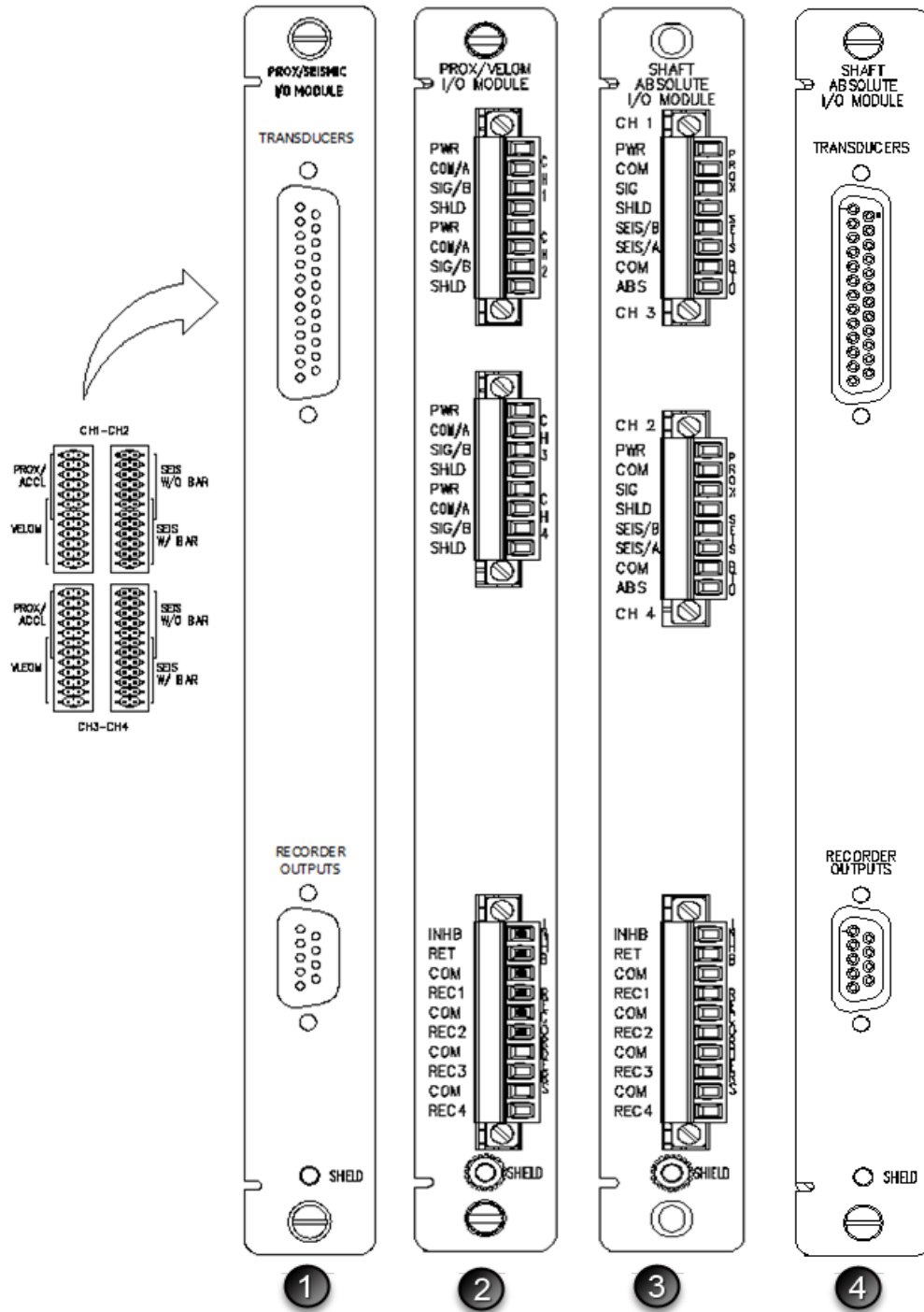
1. Status LEDs
2. Buffered Transducer Outputs
3. Prox/Seismic I/O Module with Internal Terminations
4. Prox/Seismic I/O Module with External Terminations

Figure 1: Front and Rear Views of 3500/42M Monitor



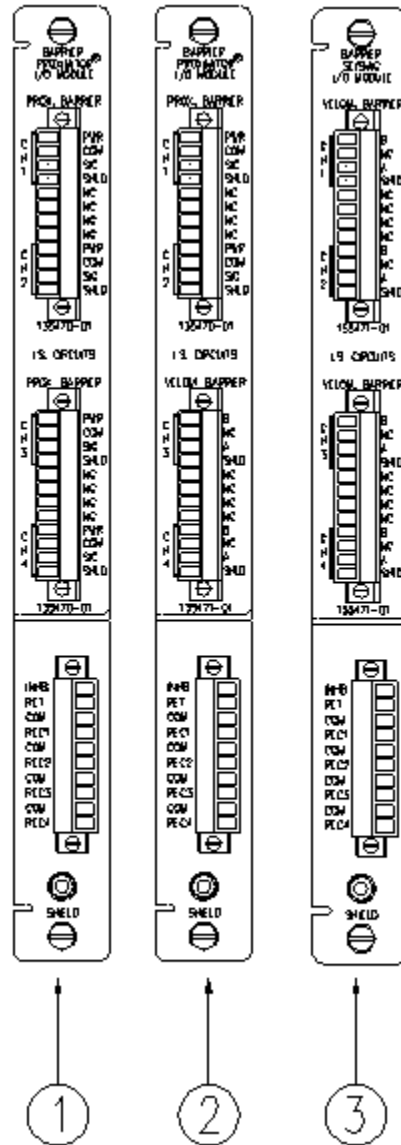
1. Prox/Velom I/O Module, Internal Terminations
2. Prox/Velom I/O Module, External Terminations
3. Shaft Absolute I/O Module, Internal Terminations
4. Shaft Absolute I/O Module, External Terminations

Figure 2: Additional I/O Modules for Legacy 3500/42M



Prox/Velom I/O modules and Shaft Absolute I/O modules with internal or external terminations have the same jumpers.

Figure 3: Updated View of Additional I/O Modules



1. Barrier I/O Module for connecting four proximitor sensors
2. Barrier I/O Module for connecting four proximitor sensors and two velomitor sensor
3. Barrier I/O Module for connecting four velomitor sensors

Figure 4: Barrier I/O Modules of the 3500/42M Proximitor Seismic Monitor

REBAM Channels

The following graphs show the maximum machine speed allowed for a monitor channel pair configured for REBAM. The maximum speed depends on the number of rolling elements in the bearing.

The graphs are generated with the following assumptions:

- The rotor lowpass filter corner is set at 3.2 times the shaft speed.
- The spike highpass filter corner is set at four times the element pass frequency for the outer race (BPFO).

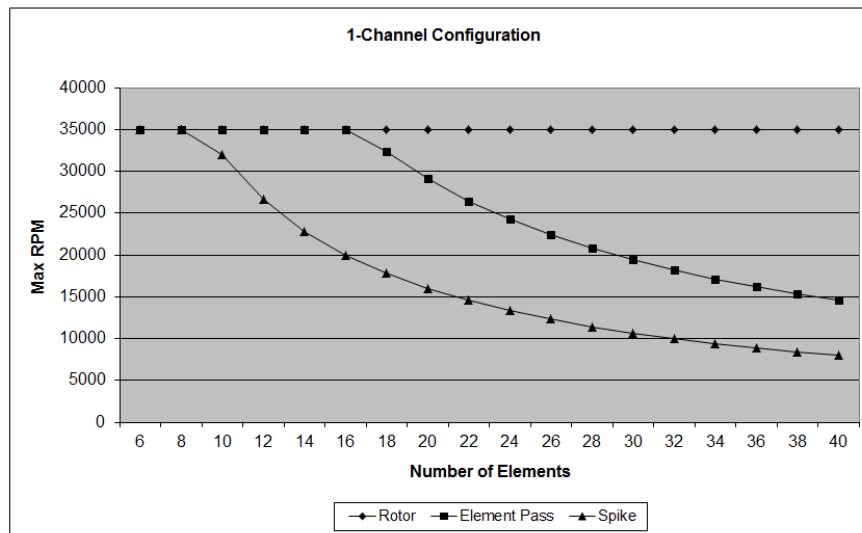


Figure 5: Both Channels of the Channel Pair are Enabled

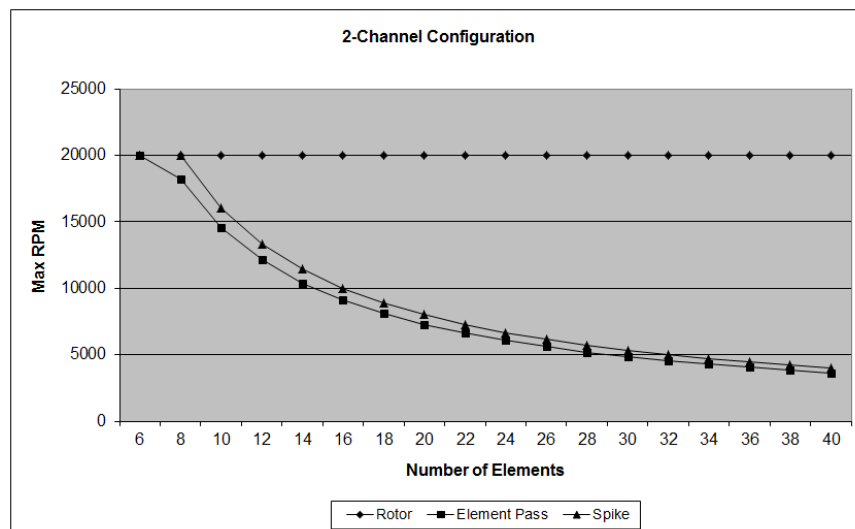


Figure 6: Only One Channel of a Channel Pair is Enabled

3500/42M Proximator Seismic Monitor
Datasheet

143694 Rev. AE

Copyright 2025 Baker Hughes Company. All rights reserved.

Bently Nevada, a Baker Hughes Company
1631 Bently Parkway South, Minden, Nevada USA 89423
<https://bntechsupport.com>

CONTACT US & SUPPORT

NEED A QUOTE OR TECHNICAL PARTS REPLACEMENT?

Company: [PLC ProTech Ltd.](#)
Website: www.plcprotech.com
Email: sales@plcprotech.com
Phone: +86 180 4631 7198

Our Service Guarantee:

- 100% Brand New Original & Factory Sealed Components
- 12-Month Quality Warranty on All Industrial Parts
- Worldwide Same-Day Fast Dispatch via DHL / FedEx

[SUBMIT ONLINE RFQ \(REQUEST FOR QUOTE\) >>](#)

[About Us](#) · [Contact](#) · [All Products](#)