

F 3331 (9912)

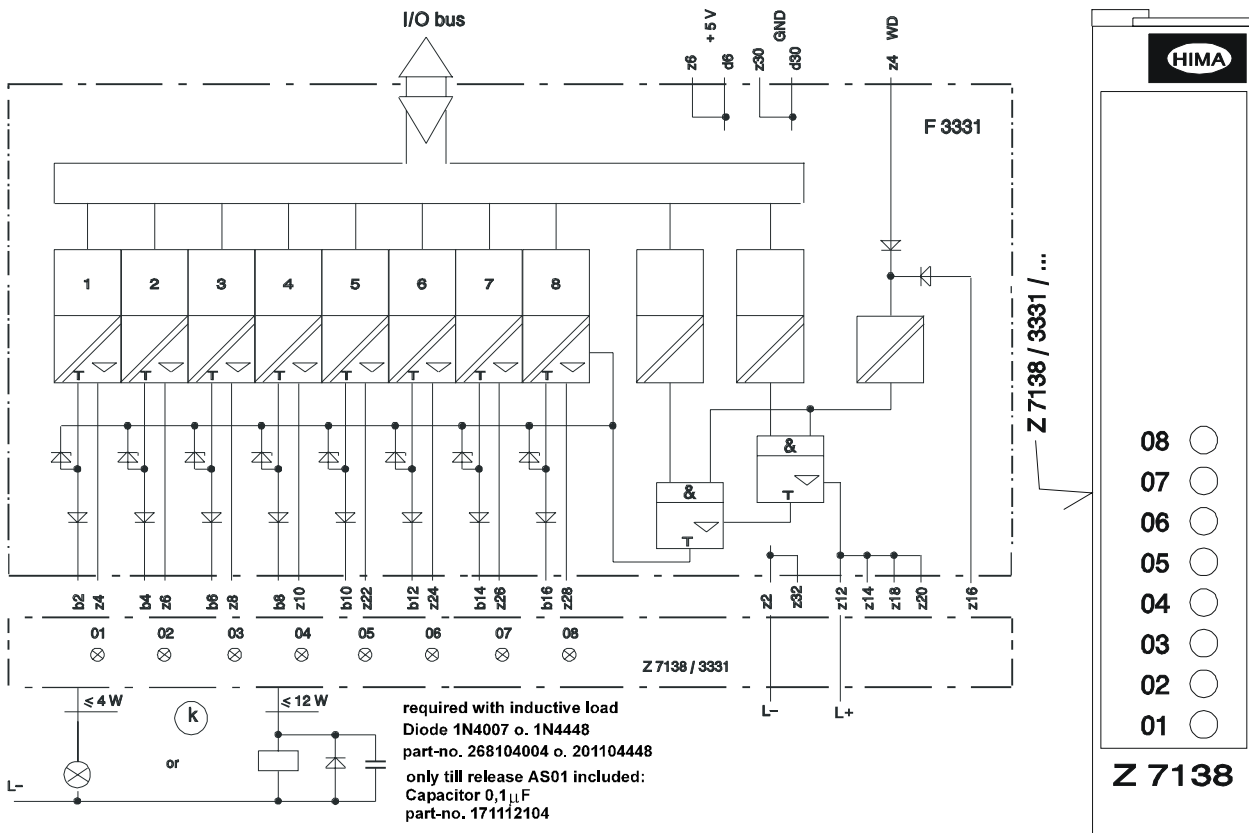
Overview Data Sheets



F 3331

F 3331: 8 fold output module, testable safety related

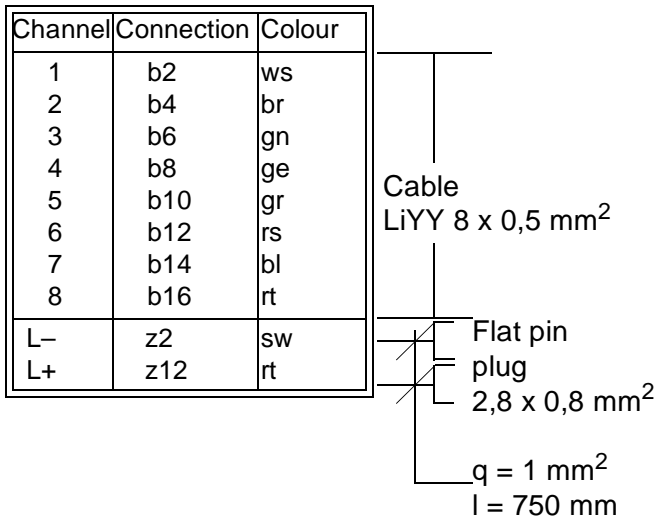
resistive load or inductive load up to 500 mA (12 W),
 lamp connection up to 4 W,
 with integrated safety shutdown, with safe isolation,
 with line monitoring,
 no output signal with break of the L- supply
 requirement class AK 1 ... 6



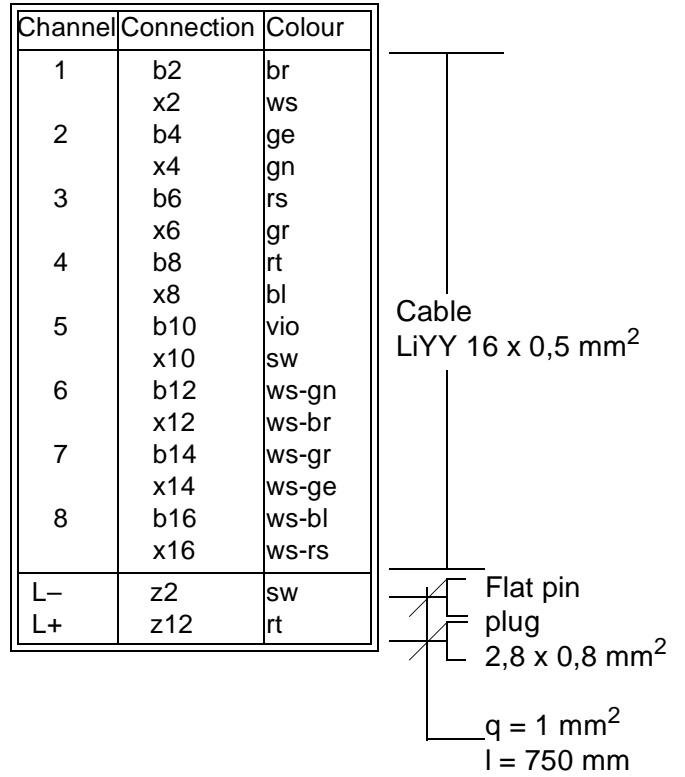
The module is automatically tested during operation. The main test routines are:

- Reading back of the output signals. The operating point of the 0 signal read back is ≤ 6.5 V. Up to this value the level of the 0 signal may arise in case of a fault and this will not be detected
- Switching capability of the test signal and cross-talking (walking-bit-test)
- line monitoring.

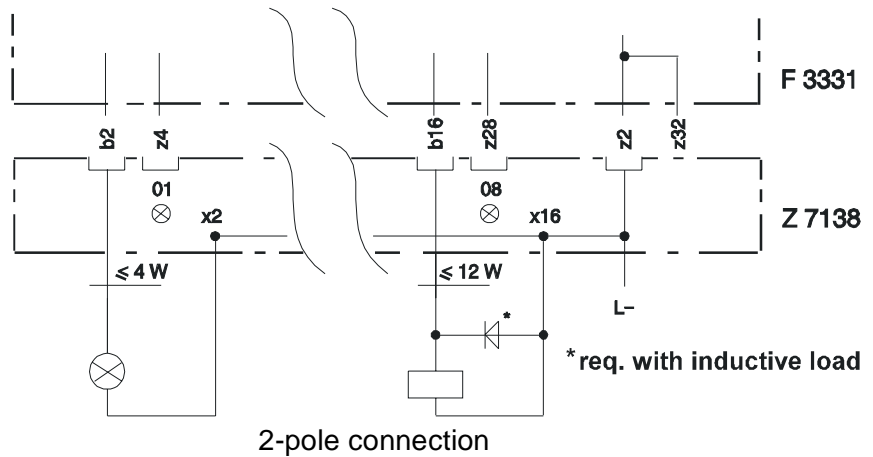
Outputs	500 mA, (k) short circuit proof
Internal voltage drop	max. 2 V at 500 mA load
Admissible line resistance (in + out)	max. 11 Ohm
Undervoltage tripping	at ≤ 16 V
Operating points (component tolerances effects value diff.)	
short circuit current	0.75 ... 1.5 A
line break	0.5 ... 9.5 mA
Outp. leakage current	max. 350 µA
Output voltage if output is reset	max. 1.5 V
Current input WD	max. 30 mA
Duration of the test signal	max. 200 µs
Space requirement	4 TE
Operating data	5 V DC: 130 mA
	24 V DC: 180 mA in add. load



Lead marking of the cable plug
Z 7138 / 3331 / C..



Lead marking of the cable plug
Z 7138 / 3331 / C.. / P2
2-pole connection



Planning hints

- line break monitoring requires a minimum load of 10 mA. Use of the signal "line break" in the user's program up to requirement class 3.
- max. 10 output modules with nominal load may be used in one IO rack
- can be paralleled without external diodes
- Appertaining softw. building block: HB-BLD-. (for current version refer to the description of the operating system).

CONTACT US & SUPPORT

NEED A QUOTE OR TECHNICAL PARTS REPLACEMENT?

Company: [PLC ProTech Ltd.](#)
Website: www.plcprotech.com
Email: sales@plcprotech.com
Phone: +86 180 4631 7198

Our Service Guarantee:

- 100% Brand New Original & Factory Sealed Components
- 12-Month Quality Warranty on All Industrial Parts
- Worldwide Same-Day Fast Dispatch via DHL / FedEx

[SUBMIT ONLINE RFQ \(REQUEST FOR QUOTE\) >>](#)

[About Us](#) · [Contact](#) · [All Products](#)