



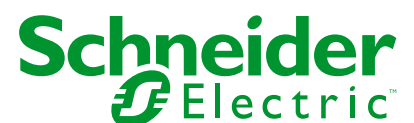
# Foxboro™ DCS

## Field Control Processor 280 (FCP280)

### PSS 41H-1FCP280

#### Product Specification

April 2025



## Legal Information

The information provided in this document contains general descriptions, technical characteristics and/or recommendations related to products/solutions.

This document is not intended as a substitute for a detailed study or operational and site-specific development or schematic plan. It is not to be used for determining suitability or reliability of the products/solutions for specific user applications. It is the duty of any such user to perform or have any professional expert of its choice (integrator, specifier or the like) perform the appropriate and comprehensive risk analysis, evaluation and testing of the products/solutions with respect to the relevant specific application or use thereof.

The Schneider Electric brand and any trademarks of Schneider Electric SE and its subsidiaries referred to in this document are the property of Schneider Electric SE or its subsidiaries. All other brands may be trademarks of their respective owner.

This document and its content are protected under applicable copyright laws and provided for informative use only. No part of this document may be reproduced or transmitted in any form or by any means (electronic, mechanical, photocopying, recording, or otherwise), for any purpose, without the prior written permission of Schneider Electric.

Schneider Electric does not grant any right or license for commercial use of the document or its content, except for a non-exclusive and personal license to consult it on an "as is" basis.

Schneider Electric reserves the right to make changes or updates with respect to or in the content of this document or the format thereof, at any time without notice.

**To the extent permitted by applicable law, no responsibility or liability is assumed by Schneider Electric and its subsidiaries for any errors or omissions in the informational content of this document, as well as any non-intended use or misuse of the content thereof.**

# Overview

The EcoStruxure™ Foxboro™ DCS Field Control Processor 280 (FCP280) is a distributed, optionally fault-tolerant, field-mounted controller module. The FCP280 performs regulatory, logic, timing, and sequential control together with connected Foxboro DCS Fieldbus Modules (FBMs). It also performs data acquisition and alarm detection and notification. The FCP280 connects to the Foxboro DCS Control Network via standard fiber optic or copper 100 Mbps Ethernet cables from network adapters installed on its baseplate (see the next figure).

The FCP280 requires Foxboro DCS Control Core Services software v9.0 or later. A system with the FCP280 and this software is called an EcoStruxure Foxboro DCS Process Automation System.

**Figure 1 - Fault-Tolerant FCP280 Module Pair Mounted on Vertical Mounted 2-Position FCP280 Baseplate**



Legend	
A	To/From Control Network Ethernet Fiber Switch "B"
B	100 Mbps Orange Duplex Fiber Cable
C	To/From Control Network Ethernet Fiber Switch "A"
D	FCP280 Fault-Tolerant Module Pair
E	Each Fieldbus Port (1-4. Top 1, Bottom 4) can connect to an HDLC fieldbus with 200 Series FBMs (a mix of Compact or standard), along with 100 Series FBMs in a pre-approved configuration
F	Liquid Crystal Display
G	Operational LED's for module state and Fieldbus communication
H	Down-Arrow Button
I	Up-Arrow Button
J	Select Button
K	Network Adapters (Fiber Adapters Shown, Copper Adapters available)
L	Operational LEDs for communication status to/from the Control Network

The fault-tolerant version of the FCP280 consists of two processor modules. These modules are installed in adjacent FCP280 slots in dedicated baseplates for high speed communication between the modules.

The FCP280 accepts four PIO channels (that is, four separate HDLC fieldbuses) via the four Fieldbus ports on its baseplate. These four Fieldbuses are referred to collectively as the "Expanded fieldbus."

The number of 200 Series and 100 Series FBMs that an FCP280 can support varies depending on the types of FBMs used:

- 200 Series FBMs exclusively used with FCP280 - Each Fieldbus port on the FCP280 baseplate can connect to a baseplate chain with up to 32 Compact or standard 200 Series FBMs per chain via the 2 Mbps HDLC fieldbus for up to 128 modules.
- 200 Series and 100 Series FBMs (dual baud configurations) used with FCP280. The FCP280 can support a total of 128 100 Series FBMs (Y-module) or competitive devices (such as Foxboro DCS system migration FBMs) in one or more baseplate chains, with the remainder of the FCP280's 128 module limit being 200 Series FBMs, depending on the Fieldbus loading of the FCP280. For example, an FCP280 could support 64 100 Series FBMs and 64 200 Series FBMs (as  $64 + 64 = 128$ ). Main and expansion FBMs are considered as two FBMs for counting purposes. As well, no more than 64 100 Series FBMs are allowed on each PIO channel/baseplate port. See the next two figures.

**NOTE:** Certain competitive migration or supported third-party modules such as the EcoStruxure Foxboro DCS Process Automation System Migration Fieldbus Modules and Pepperl+Fuchs™ I/O modules may increase this 128 module maximum per FCP280. For the maximum numbers of each of these migration/third-party modules supported by the FCP280, see the supported migration products books in *Field Control Processor 280 (FCP280) User's Guide* (B0700FW).

**NOTE:** Although the FCP280 is capable of communicating with the maximum number of FBMs (128), some restrictions may constrain a useful control system's design, thereby limiting the number of FBMs that can be installed.

An optional dual cable baseplate is available that supports four PIO channels, but separate A versus B bus connectors are provided along with dedicated connectors for the optional Time Strobe inputs.

Fieldbus connections from the optional dual cable baseplate to standard or compact 200 Series FBMs require separate A versus B bus cables plus a dual "D" connection adapter on the FBM baseplate (RH926KW).

**NOTE:** The dual cable baseplate does not support connections to 100 Series FBMs or equivalent competitive migration and third-party modules.

When supporting 200 Series and 100 Series FBMs, each Fieldbus port (PIO channel) is dedicated to supporting either a 268 Kbps HDLC fieldbus (for 100 Series FBMs) or a 2 Mbps HDLC fieldbus (for 200 Series FBMs) — not both.

For connections to 100 Series FBMs, an FBI200 pair is required to extend communications up to 1,830 m (6,000 ft). See the next figure.

**NOTE:** When replacing a CP10, CP30, CP40, or CP60 with a FCP280 and keeping all its 100 Series FBMs, an FBI200 is required to be installed between the CP and FBMs to reduce potential system messages.

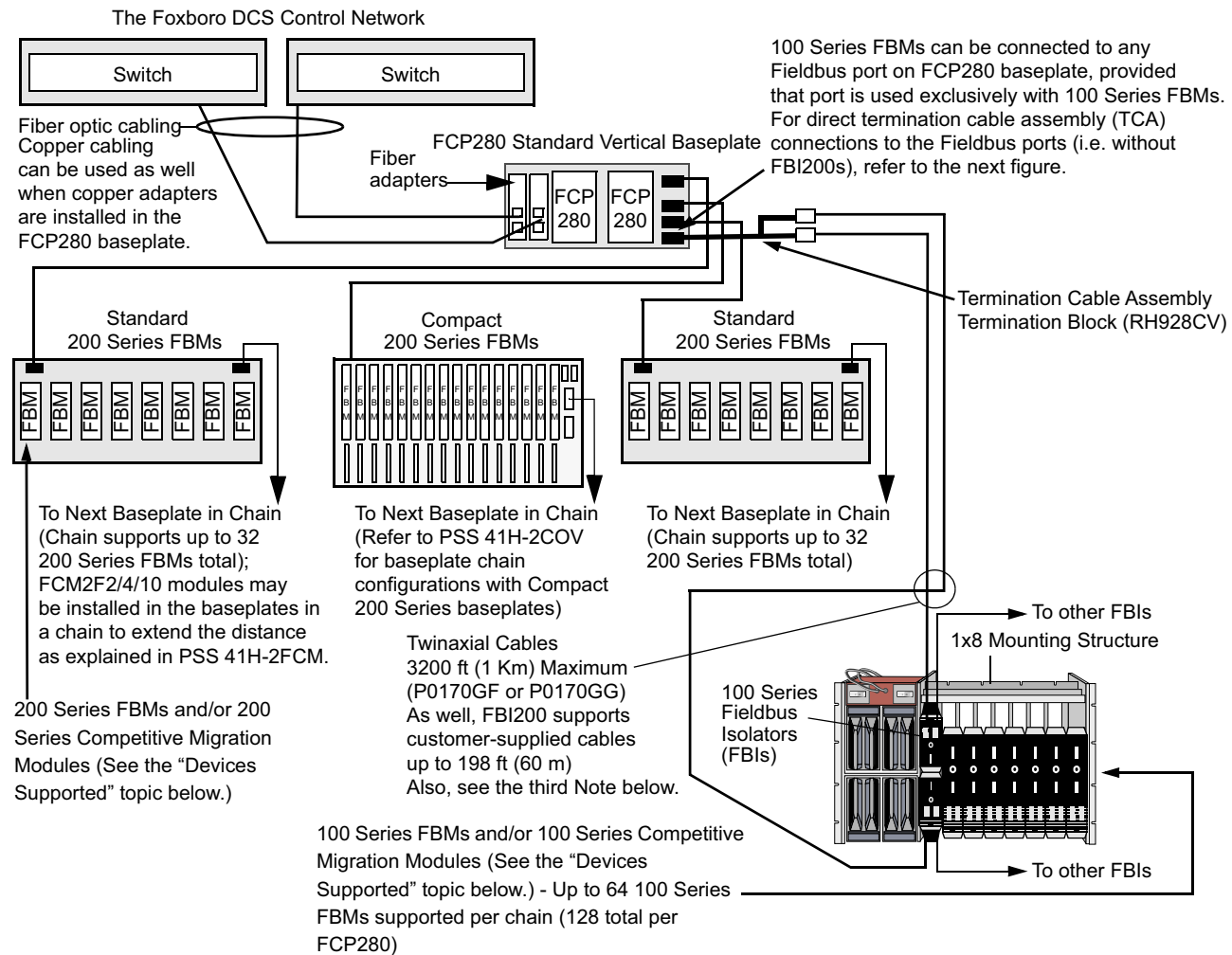
The Fieldbus splitter (RH928CV) is used to directly connect a Fieldbus port to a 268 Kbps HDLC fieldbus. This provides a connector for any Fieldbus port on the FCP280 baseplate, and two Termination Cable Assembly (TCA) termination blocks for the twinaxial cabling from the 100 Series FBMs.

The FCP280 can also communicate with serial and Ethernet devices, such as PLCs, via Field Device System Integrators (special FBMs). This allows you to connect to new device interfaces without any changes to the controller software.

To estimate the FCP280's processor load, see *Field Control Processor 280 (FCP280) Sizing Guidelines and Excel Workbook* (B0700FY).

For a description of the FCP280 baseplates, see *Standard 200 Series Baseplates* (PSS 41H-2SBASPLT).

**Figure 2 - Typical FCP280 Network Configuration with Mixed 100 Series and 200 Series FBM Functionality (Simplified)**

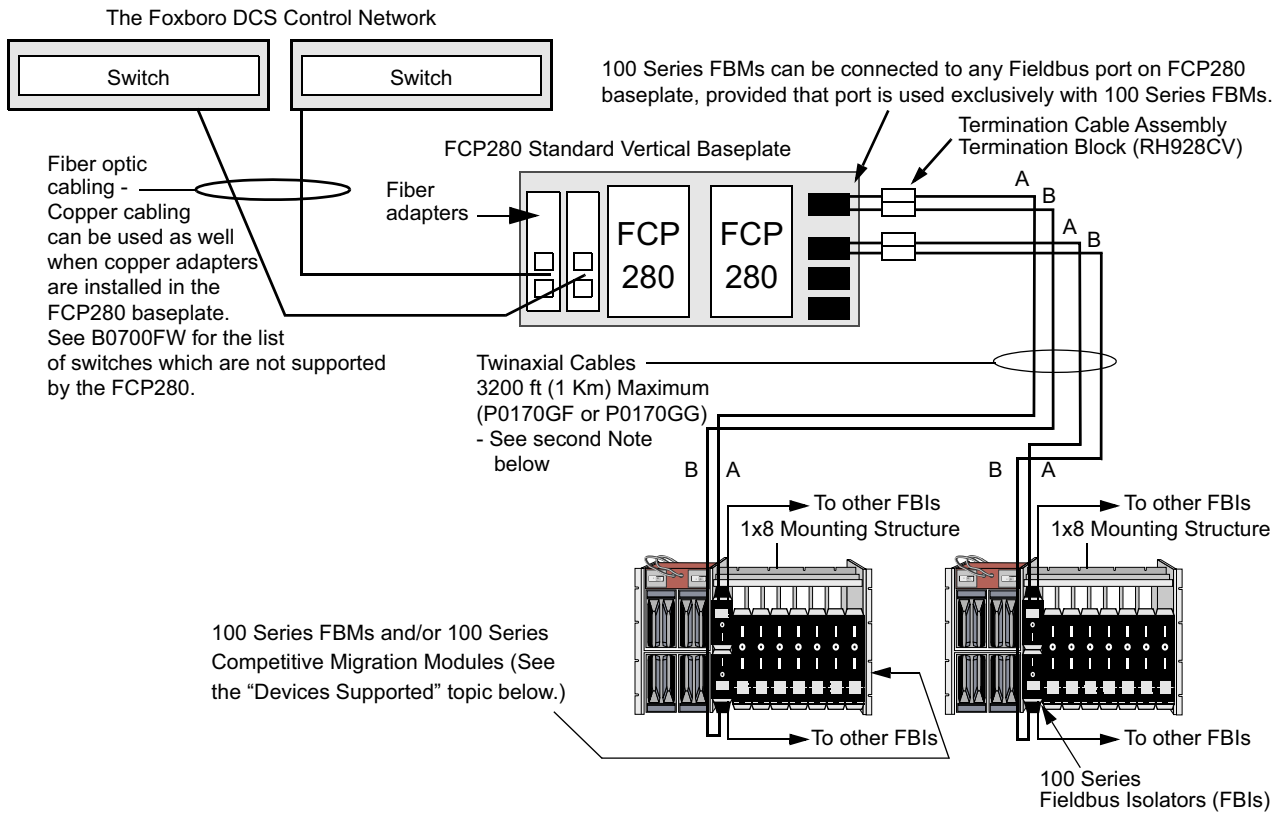


The FCP280 supports up to 128 FBMs, which can consist of one of these options: 128 200 Series FBMs, 128 100 Series FBMs, or a mix of 128 200 Series and 100 Series FBMs. If you use a mix of 100 Series and 200 Series FBMs, the FBMs cannot be mixed concurrently on the same Fieldbus port (PIO channel). Each PIO channel must be configured to either a 268 Kbps or 2 Mbps HDLC fieldbus.

The 100 Series FBMs can be connected to any fieldbus port on the FCP280 baseplate, provided that the overall FBM limit of 128 100 Series FBMs is maintained for the FCP280. Up to 64 100 Series FBMs are supported on each PIO channel/ baseplate port.

An FBI200 may be included on this connection to extend the distance between the 100 Series FBIs and the FCP280 baseplate. In mixed configurations (100 and 200 Series FBMs) the FCP280 can communicate on the 268 Kbps HDLC fieldbus up to 60 m (198 ft). When communicating with a 268 Kbps HDLC fieldbus only, the FCP280 can communicate on this fieldbus up to 1 km (3,200 ft). The FBI100 pair may be used in place of FBI200s. For sizing constraints and devices supported by the FBI200, see *FBI200 Fieldbus Isolator/Filter (PSS 41H-2FBI200)*. For sizing constraints and devices supported by the FBI100, see *FBI100 Fieldbus Isolator/Filter (PSS 21H-2Y16 B4)*. The FBI200/FBI100 extends the distance of the HDLC fieldbus between the FCP280 and the FBMs up to 1,830 m (6,000 ft). The FBI200 can be used with 200 Series FBMs as well to extend the cabling distances to them. The FBI100 is used exclusively with 100 Series FBMs to extend the cabling distances to them.

**Figure 3 - Typical FCP280 Network Configuration with Exclusive 100 Series FBM Functionality (Simplified)**



The FCP280 supports up to 128 100 Series FBMs total. Up to 64 100 Series FBMs are allowed on each PIO port/Fieldbus port.

The FBI200 is needed only to extend the distance between the 100 Series FBIs and the FCP280 baseplate. When communicating with a 268 Kbps HDLC fieldbus only, the FCP280 can communicate on this fieldbus up to 1 km (3,200 ft). FBI100 pair may be used in place of FBI200s. For sizing constraints and devices supported by the FBI200, see *FBI200 Fieldbus Isolator/Filter (PSS 41H-2FBI200)*. For sizing constraints and devices supported by the FBI100, see *FBI100 Fieldbus Isolator/Filter (PSS 21H-2Y16 B4)*. The FBI200/FBI100 extends the distance of the HDLC fieldbus between the FCP280 and the FBMs up to 1,830 m (6,000 ft). Twinaxial cables over 1 km (3,200 ft) are customer supplied.

The RH928CV splitter has a 3 m (9.8 ft) cable between the fieldbus port connector and TCA termination block.

## Features

- Performs regulatory, logic, timing, and sequential control together with connected Foxboro DCS Fieldbus Modules (FBMs)
- Performs data acquisition and alarm detection and notification
- Supports 200 Series and 100 Series equipment:
  - Supports up to 128 Compact or standard 200 Series FBMs, 128 100 Series FBMs, or up to 128 of a combination of 100 Series FBMs and 200 Series FBMs, and no Fieldbus Communication Module is required (a maximum of 64 100 Series FBMs are allowed on each PIO channel/baseplate port)
  - For 200 Series and 100 Series equipment, each fieldbus port on standard FCP280 baseplates supports either a 2 Mbps or 268 Kbps HDLC fieldbus exclusively
  - The optional dual cable baseplate enables separate cables to be used for each “A” and “B” bus
- No Fieldbus Expansion Module is required for Expanded Fieldbus support
- Supports self-hosting mode, which allows the FCP280 to boot itself with a valid control database even without its host workstation being on-line. However, editing control functions will not be possible.
- Offers unique, patented, fault-tolerant operation using two control modules to greatly improve reliability relative to other process controllers
- Offers on-line image upgrade (OLUG) of a fault-tolerant FCP280
- Offers an enhanced on-line image upgrade (EOLUG) of a fault-tolerant FCP280 while the process is running. This form of upgrade helps prevent any significant bumps to the local control process.
- Offers CP Overload Protection, that notifies an operator if an FCP280 is being pushed toward its performance limits
- Liquid Crystal Display (LCD) displays letterbug and real-time roles and statuses
- Connects to the Foxboro DCS Control Network via standard fiber optic or copper 100 Mbps Ethernet cables
- Uses a rugged, die cast aluminum housing for mounting in a non-vented field enclosure
- Can operate in Class G3 harsh environments
- CE certified for field mounting in enclosures
- Uses versatile control algorithms and a wide variety of FBMs to provide control capabilities for a broad range of process applications
- Supports time synchronization using optional external time from GPS satellites
- Uses soft letterbugs configurable via the keys on the FCP280 faceplate

## Fiber and Copper Network Adapters

FCP280 modules connect to a pair of fiber or copper adapters which each connect to one Ethernet switch in the Control Network. The FCP280 baseplate passes inbound traffic from either of the two switches to both FCP280s, and pass outbound traffic from the primary FCP280 module to either switch.

**Figure 4 - Fiber Optic and Copper Network Adapters**



Fiber Adapter (RH924WA)

Copper Adapter (RH924UQ)

The fiber or copper adapters mount on the FCP280 baseplate as shown in *Fault-Tolerant FCP280 Module Pair Mounted on Vertical Mounted 2-Position FCP280 Baseplate*, page 3. They receive their power from the baseplate.

## Remote Mounting

The FCP280 simplifies the Foxboro DCS System architecture, maintaining control while only requiring housing (via field enclosures), host workstations with the Control Core Services v9.0 or later, and Ethernet switches for communication via the Control Network architecture. For more information, see *The Foxboro DCS Control Network Ethernet Equipment* (PSS 41H-7NWEQUIP).

The field-mounted FCP280 is an integral part of the highly-distributed Control Network where controllers are closely aligned to specific process units mounted in close proximity to their I/O and the actual equipment being controlled. Coordination between process units takes place via a fiber optic 100 Mbps Ethernet network.

The FCP280 and its network adapters are packaged in a rugged, die cast aluminum housing that does not require venting due to its efficient design. The FCP280 and its network adapters are CE certified, and it can be mounted without expensive special cabinets to help prevent electronic emissions. The FCP280, network adapters, and baseplate can be mounted in Class G3 harsh environments.

## Enhanced Reliability (Fault-Tolerance)

The unique and patented fault-tolerant operation of the FCP280 improves reliability relative to legacy process controllers. The fault-tolerant version of the FCP280 consists of two modules operating in parallel, with two Ethernet connections to the Control Network. The two FCP280 modules, married together as a fault-tolerant pair, provide continuous operation of the controller in the event of virtually any hardware occurrence within one module of the pair.

Both modules receive and process information simultaneously, and faults are detected by the modules themselves. One of the significant methods of fault detection is comparison of communication messages at the module external interfaces. Messages only leave the FCP280 when both FCP280s agree on the message being sent (bit for bit match). Upon detection of a fault, self-diagnostics are run by both modules to determine which module is affected. The non-affected module then assumes control without affecting normal system operations.

This fault-tolerant solution has the following major advantages over controllers that are merely redundant:

- No bad messages are sent to the field or to applications using controller data because no message is allowed out of the controller unless both modules match bit for bit on the message being sent.
- The secondary controller is synchronized with the primary one, which helps ensure up to the moment data in the event of a primary controller occurrence.
- The secondary controller will have latent flaws detected prior to any switchover because it is performing exactly the same operations as the primary controller.

## Legacy Control Processor Upgrade Options

Multiple options are available for replacing legacy control processors with the FCP280. A fault-tolerant FCP280 can replace a fault-tolerant FCP270 or ZCP270. It can import the CP database from the CP270 it is replacing, for compatibility and minimal configuration time.

The FCP280 provides an increase in performance and block processing capacity over the CP270s. When replacing the FCP270s with the FCP280, you do not need the FEM100 hardware.

**NOTE:** When upgrading from a Foxboro DCS with CP60s to FCP280s, depending on the system's 200 Series FBMs' date of manufacture and whether they include filter capacitors, the Foxboro DCS architecture might require a redesign to help prevent an increase in PIOEGB counts, PIO access errors, or both. For details on these upgrade conditions and architecture redesigns, see *EcoStruxure™ Foxboro™ DCS Field Control Processor 280 (FCP280) Upgrade Guide* (B0700GC).

For ease of replacement, the fault-tolerant or non-fault-tolerant FCP280 in the standard baseplate has the same dimensions as the fault-tolerant or non-fault-tolerant FCP270 in its baseplate.

The dual cable baseplate has larger dimensions than the standard baseplate.

Cabling the 100 Series FBMs or Migration products to an FCP280 baseplate consists of extending the remote 268 Kbps fieldbus between enclosures. This is accomplished using termination cable assemblies (TCAs) and Fieldbus Isolators (FBIs) to provide connections between primary and extended fieldbus segments.

The optional FBI200 can extend the 2 Mbps HDLC fieldbus between 200 Series FBMs from 60 m (198 ft) up to 305 m (1000 ft). As well, for standard FCP280 baseplates, it can extend the 268 Kbps HDLC fieldbus between 100 Series FBMs from 60 m (198 ft) in a mixed 100 and 200 Series FBMs configuration (or 300 m (1,000 ft) in an exclusive 100 Series FBMs configuration) up to 1830 m (6,000 ft).

As with earlier generations of control processors, up to 128 100 Series FBMs (including expansion modules) attach to standard baseplate Fieldbus ports through Fieldbus Isolators (with a maximum of 64 100 Series FBMs per port). Up to 24 100 Series FBMs, excluding expansion modules, can connect to each isolator. However, the expansion modules are considered 100 Series FBMs in this “128 100 Series FBMs” maximum discussed in this PSS. Available upgrade scenarios are available in *EcoStruxure™ Foxboro™ DCS Field Control Processor 280 (FCP280) User's Guide* (B0700FW).

## FBI200 Fieldbus Isolator/Filter

The FBI200 Fieldbus Isolator/Filter extends the length of the 268 Kbps module Fieldbus from the FCP280 to 100 Series FBMs and similar competitive migration modules up to 1,830 m (6,000 ft) over a twinaxial Fieldbus cable. See *Typical FCP280 Network Configuration with Mixed 100 Series and 200 Series FBM Functionality (Simplified)*, page 6.

It can also extend the 2 Mbps HDLC fieldbus to 200 Series FBMs up to 305 m (1,000 ft).

For more information on the FBI200, see *FBI200 Fieldbus Isolator/Filter* (PSS 41H-2FBI200).

## Firmware Upgrades While On-Line

For fault-tolerant FCP280 modules, on-line image upgrade (OLUG) replaces the executable image (operating system) of a running FCP280 with a newer image.

The enhanced on-line image upgrade (EOLUG) improves on this process by upgrading the FCP280 modules without having to shut down the equipment being controlled by the FCP280. This form of upgrade helps prevent any significant bumps to the local control process, removes the initialization of sequence logic and decreases the Object Manager reconnection time.

## Time Synchronization, SOE, TDR/TDA

The Foxboro DCS System supports time synchronization using either an externally maintained optional source of Universal Coordinated Time (UTC) from GPS satellites or an internal source using proprietary software. FCP280s that receive time updates via the external time source synchronize their FBMs to 1 ms. For more information on time synchronization, see *Time Synchronization Overview* (PSS 41S-1TIME).

Time stamping is used for alarm messages, values sent to the historian, the Foxboro DCS Sequence Of Events (SOE) and Transient Data Recorder (TDR), and Transient Data Analyzer (TDA) features.

SOE data are discrete points that are time stamped at the FBM, optionally to 1 ms, and sent to the workstation on a change basis. TDR/TDA data are analog or digital points that are time stamped at the FBM and sent to the workstation every 10 ms. These features are supported by client software in the workstation. For information on this new software, see *Field Control Processor 280 (FCP280) Integrated Control Software* (PSS 41S-3FCPICS).

Time strobe signals are delivered from custom switches over Ethernet cables. However, the method by which these Ethernet cables connect to the FCP280 baseplates differs depending on the baseplate. The standard vertical and horizontal baseplates' RH924YF's first HDLC connector (upper right-hand side of the baseplate) accepts time strobe signals via time strobe adapter (RH924ZQ), which is discussed in "Module Fieldbus and Time Strobe Splitters/Terminators" in *Standard and Compact 200 Series Subsystem User's Guide* (B0400FA).

Receiving the time strobe signals on the standard baseplate requires the use of the RH924ZQ adapter on the first HDLC port on the baseplate, and in this configuration, this port cannot be used for any other purpose. The dual cable baseplate (RH100JX) has two dedicated RJ-45 ports on its upper right-hand side to accept these Ethernet cables directly without the use of the RH924ZQ adapter.

## Software Control Features

The FCP280 performs regulatory, logic, timing, and sequential control, as well as data acquisition, alarm detection, and alarm notification. Process variables are controlled using time-proven algorithms (mathematical computations performing specific functions). The algorithms are contained in functional control blocks, which on-site process engineers configure to implement the desired control strategies.

The versatility of the algorithms, coupled with the variety of FBMs available, provides control capabilities suited to a broad range of process applications. Control strategies ranging from simple feedback and cascade loops to highly sophisticated feedforward, nonlinear, and complex characterization control schemes are readily implemented.

The FCP280 also supports the following features:

- Setting and reading the FCP280 letterbug via the buttons on the faceplate
- Alarm enhancements to function blocks:
  - Re-alarmed on changes to alarm priority
  - Re-alarmed based upon a configurable time delay deadband, and alarm suppression based on time
- Optional UTC external time synchronization
- Improved controller performance
- Optional self-hosting mode allows the FCP280 to start up and run, executing its configured control scheme using the checkpoint file stored in flash memory. This allows the FCP280 to boot itself with a valid control database even if its host workstation is not present.
- Support for high speed capabilities such as ladder logic, Motor Driven Actuator Controller (MDACT), and Distributed Proportional Integral Derivative functionality (DPIDA)

## Devices Supported

The FCP280 supports these 200 Series and equivalent devices on the 2 Mbps fieldbus:

- All Compact and Standard 200 Series FBMs, which can support many types of intelligent field devices, including those on Foundation Fieldbus, PROFIBUS, HART, and DeviceNet networks
- Foxboro DCS Field Device Systems Integrator (FDSI) modules
- Intrinsically Safe I/O Subsystem (ISCM) - see *Intrinsically Safe I/O Subsystem* (PSS 31H-2Y6)
- DCS Migration Fieldbus Modules for Siemens APACS+ Systems

- DCS Migration Fieldbus Modules for Westinghouse WDPF® Systems
- DCS Migration Fieldbus Modules for Fisher's PROVOX® Series 20 Migration with HART
- DCS Migration Fieldbus Modules for Honeywell® TDC 2000 Systems with HART

Using the standard baseplate, the FCP280 supports these devices on the 268 Kbps fieldbus:

- 100 Series FBMs
- SPECTRUM™ Migration Integrators
- SPEC 200™ Control Integrators
- SPEC 200 MICRO™ Control Integrators
- SPEC 200 CCM Control Integrators

The Foxboro Gas Chromatograph is not supported.

The FCP280 supports the 100 Series Fieldbus Module Upgrade subsystem, with the optional FBI200A modules. See *100 Series Fieldbus Module Upgrade Subsystem Overview* (PSS 41H-2W100).

## FCP280 Baseplate

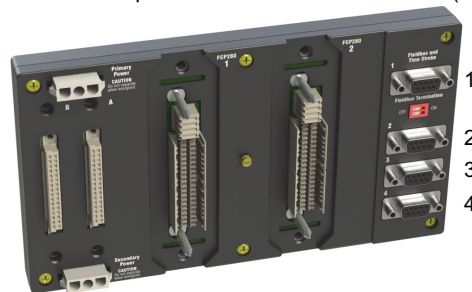
The FCP280 is installed on a modular, DIN rail mounted baseplate in a dedicated slot that is keyed for the controller so that modules are not misplaced. The available FCP280 baseplates are shown in this figure.

**Figure 5 - FCP280 Baseplates**

Standard FCP280 Baseplate for a horizontal DIN rail mount (RH924YL)



Standard FCP280 Baseplate for a vertical DIN rail mount (RH924YF)



Dual Cable FCP280 baseplate for a vertical or horizontal DIN rail mount (RH100JX)



These 2-position baseplates support a non-fault-tolerant single or fault-tolerant pair of FCP280s, as well as two copper (RH924UQ) or fiber (RH924WA) adapters, required for connection to the Control Network.

The FCP280 baseplate provides support for four HDLC fieldbuses (PIO channels). On the standard baseplates, Fieldbus port 1 can be terminated, if needed, by the DIP switches provided on the baseplate. Fieldbus ports 2-4 are internally terminated in the FCP280 baseplates and no external hardware or switches are required for their termination. All four Fieldbus port pairs (A/B) on the dual cable baseplate are internally terminated by default without the use of DIP switches.

The FCP280 baseplates can be added in the field to existing or new configurations. The standard FCP280 baseplates have similar dimensions as the FCP270 2-position baseplates for ease of replacement, while the dual cable baseplates are larger and wider.

When upgrading existing CP60 systems to use FCP280s, you can recover an additional two FBM positions after removing the old FCM10E/FCM10Efs.

The following splitters and terminators can be used with FCP280 baseplate:

- The Fieldbus Baseplate Terminator (P0916RB) is used to terminate either the CP end of the HDLC fieldbus or the last 200 Series baseplate in the daisy chain when Time Strobe or split A/B fieldbus cables are not required.

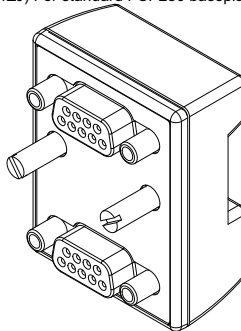
**Figure 6 - Fieldbus Baseplate Terminator (P0916RB)**



- For standard baseplates only, Fieldbus Baseplate Terminator/Splitter (RH924ZJ for Fieldbus port 1, or RH928CY for the Fieldbus port on a standard FCP280 baseplate) allows splitting of the A and B Module Fieldbus signals into different cables. This splitter can be used to interconnect optional redundant cables between FCP280 baseplates and 200 Series baseplates. It can also be used to terminate both the fieldbus and time strobe signals.

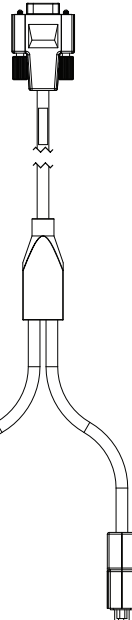
**Figure 7 - Fieldbus Baseplate Terminator/Splitters - for FCP280 Baseplates**

(RH924ZJ) For standard FCP280 baseplates only



To Fieldbus port on FCP280 baseplate

(RH928CY)



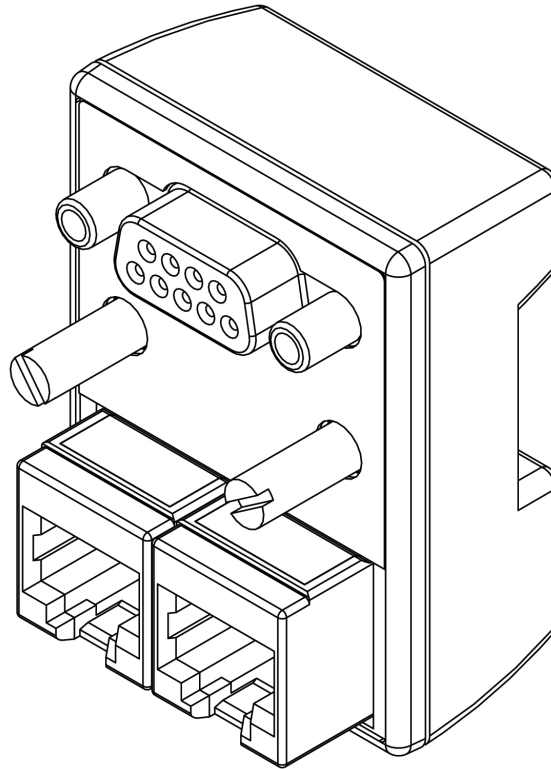
To Module Fieldbus Cable A

To Module Fieldbus Cable B

- Time Strobe Fieldbus Baseplate Terminator (RH924ZQ) connects the optional “A” and/or “B” time strobe signals to the standard FCP280 baseplates only. The Time strobe splitter/terminator RH924ZQ is used on only the first standard baseplate containing an FCP280. This terminator also terminates the fieldbus signals.

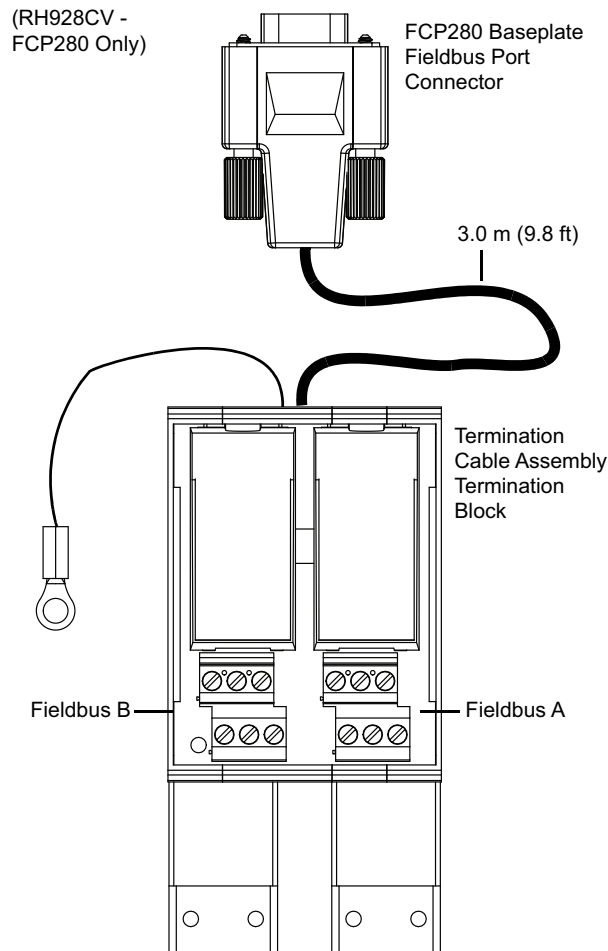
**NOTE:** The RH924ZQ adapter is not used with the dual cable FCP280 baseplate.

**Figure 8 - Time Strobe Fieldbus Baseplate Terminator (RH924ZQ — FCP280 Only)**



- Fieldbus Splitter (RH928CV) allows any of the Fieldbus ports on the standard FCP280 baseplates to connect to the twinaxial 268 Kbps fieldbus cables. RH928CV includes both a connector to any of the Fieldbus ports on the FCP280 baseplate, and a termination cable assembly (TCA) termination block similar to two of the P0903VY termination blocks joined together.

**Figure 9 - Extended Fieldbus Splitter for FCP280 Baseplate (Fieldbus Ports 1-4)**



## Liquid Crystal Display (LCD)

The FCP280 has a liquid crystal display (LCD) on its faceplate, which displays various status and identification information:

- The first line typically displays the FCP280's letterbug and role (Primary/Shadow/Single)
- The second line displays the FCP280's part number, hardware revision information, manufacturing date, OS version, and its status on the Control Network

## LED Indicators

Light-emitting diodes (LEDs) on the front of the FCP280 module provide visual indication of the:

- FCP280 operational status
- Transmit/receive communications activity of four expanded fieldbus channels, fieldbus A and B for each

LED indicators on the copper or fiber network adapters provide visual indication for:

- Internal and external power supply health status
- Communications activity to the Control Network A and B links, and to the FCP280(s)

## FCP280 Functional Specifications

Processor Type	<ul style="list-style-type: none"> <li>Control Processor: ARM® System on a Chip (SOC) with stored programs, using high-speed communication capability</li> <li>Size: 128 MB SDRAM 128 MB flash memory</li> <li>Error Detection: ECC providing single-bit error detection and correction as well as multiple-bit error detection.</li> </ul>
Process I/O Communications (with FBMs)	<p>Module Fieldbus:</p> <ul style="list-style-type: none"> <li>Type: HDLC</li> <li>Transmission Rate: 2 Mbps for 200 Series FBMs or 268 Kbps for 100 Series FBMs</li> </ul>
Process I/O Capacity	<ul style="list-style-type: none"> <li>200 Series FBMs: Up to 32 per Expanded fieldbus - up to 128 FBMs over all four Expanded fieldbuses when used exclusively with 200 Series FBMs. When used with a mix of 100 Series and 200 Series FBMs, up to 128 100 Series FBMs (Y-module) or competitive devices (such as Foxboro DCS System migration FBMs) with the remainder of this 128 module limit being 200 Series FBMs, depending on the Fieldbus loading of the FCP280.  For example, an FCP280 may support 64 100 Series FBMs and 64 200 Series FBMs (as 64 + 64 = 128) over separate Expanded fieldbuses.  As well, a maximum of 64 100 Series FBMs are allowed on each PIO channel/ baseplate port.  For sizing constraints, see <i>Field Control Processor 280 (FCP280) Sizing Guidelines and Excel Workbook (B0700FY)</i>.</li> <li>100 Series FBMs — Standard FCP280 Baseplates Only: A maximum of 64 100 Series FBMs are allowed on each PIO channel/baseplate port, with a total of 128 allowed per FCP280, depending on control processor sizing constraints (see <i>Field Control Processor 280 (FCP280) Sizing Guidelines and Excel Workbook (B0700FY)</i>).</li> <li>Competitive Migration Modules: See the device-specific Product Specification Sheets.</li> </ul>
Memory Allocation for Blocks	<p>15.75 MB for a self-hosted database using Classic Online Image Update (Classic OLUG)</p> <p>19.75 MB for a self-hosted database using Enhanced Online Image Update (EOLUG) due to flash re-mapping</p>
Maximum Number of Blocks Configured	The maximum number of control blocks that can be configured for the FCP280 (or fault-tolerant FCP280 pair) is 8,000. Seven of these 8,000 blocks are pre-defined, leaving a total of 7,993 blocks that you can configure for the FCP280. Compounds and ECBs all count as blocks as well.
Block Executions Per Second	16,000 blocks/second, maximum
Maximum Number of Blocks Processed	The number of blocks that can be processed per block processing cycle (BPC) time interval depends on scan periods and block type selection. These blocks include all types (control blocks, ECBs, compounds, data blocks, and so forth). For sizing

## Field Control Processor 280 (FCP280)

## FCP280 Functional Specifications

	guidelines, see <i>Field Control Processor 280 (FCP280) Sizing Guidelines and Excel Workbook</i> (B0700FY).
Minimum Block Processing Cycle (BPC)	50 ms
Sequence Block Size	32 kB maximum for each block
Maximum Number of IPC Connections	<p>231; 200 connections for source points; 30 connections for sink points; 1 connection for internal use only.</p> <p style="text-align: center;"> <pre> graph LR     A[30 IPC connections] --&gt; B[FCP280]     B --&gt; C[200 IPC connections]           </pre> </p> <p>An IPC connection provides the means to exchange continuous process control information. A Source point is defined as a connection to a destination device that can have data sourced by a given CP. Thus an FCP280 can provide data to up to 200 destination stations.</p> <p>A Sink point is defined as an external point to which the FCP280 can connect to acquire process control data. The FCP280 can receive continuous updates from up to 30 other data sources.</p>
Maximum Number of OM Sink Lists	<p>75</p> <p>A Sink list is a list of items to be delivered to particular destination. These lists provide an efficient way to group updates to a given destination.</p>
Maximum OM Scanner Database	<p>28,000 points</p> <p>The number of points being scanned and providing updates can vary depending on the BPC, scan rate and the I/O scan load. For example, an FCP280 with a BPC of 100 ms can scan up to 7,500 points for updates per second. For a BPC of 500 ms, it is 18,000 points.</p>
Maximum Number of OM Sink Points	<p>11,250</p> <p>The OM sink point limitations refer to the number of points that can be received from outside sources.</p>
Configurable Block Periods	<p>0.05, 0.1, 0.2, 0.5, 0.6, 1, 2, 5, 6, 10, 30 seconds</p> <p>1, 10, 60 minutes</p>
Block Processing Cycle	0.05, 0.1, 0.2, 0.5 and 1.0 seconds, selectable at system configuration time
Time to Marry Fault-Tolerant Modules	Less than 0.5 seconds
Internal Diagnostics	<p>Self-checking performed at power-up. Run-time checks and the watchdog timer function performed during operation.</p> <p>When FCP280s are configured as an fault-tolerant pair, constant synchronization checking and message compare operations are also used to detect hardware occurrences.</p>
Power Requirements (FCP280 Module)	<ul style="list-style-type: none"> <li>• Input Voltage (Redundant): 24 V DC typical</li> <li>• Consumption (Single Module with Redundant Network Adapters): 11 W, maximum</li> <li>• Consumption (Fault-Tolerant Pair with Redundant Network Adapters): 20 W, maximum</li> </ul>
Regulatory Compliance, Electromagnetic Compatibility (EMC)	<ul style="list-style-type: none"> <li>• <i>EMC Directive 2014/30/EU</i>: Meets: EN 61326-1 Class A Emissions and Industrial Immunity Levels.</li> </ul>

FCP280 Functional Specifications

Field Control Processor 280 (FCP280)

<p>Regulatory Compliance, Product Safety</p>	<ul style="list-style-type: none"> <li>• <i>Underwriters Laboratories (UL) for U.S. and Canada:</i> Underwriters Laboratories (UL) for U.S. and Canada UL/UL-C listed as suitable for use in Class I, Groups A-D; Division 2; enclosure based systems when connected to specified 200 Series Fieldbus Modules as described in the <i>Standard and Compact 200 Series Subsystem User's Guide</i> (B0400FA). Communications circuits also meet the requirements for Class 2 as defined in Article 725 of the National Electrical Code (NFPA No.70) and Section 16 of the Canadian Electrical Code (CSA C22.1). Conditions for use are as specified in the <i>Standard and Compact 200 Series Subsystem User's Guide</i> (B0400FA).</li> <li>• <i>European Low Voltage Directive 2014/35/EU and Explosive Atmospheres (ATEX) Directive 2014/34/EU:</i> ATEX (DEMKO) Ex nA IIC T4 Gc certified when connected as described in the <i>Standard and Compact 200 Series Subsystem User's Guide</i> (B0400FA). For use in an enclosure suited for an ATEX Zone 2 classified area.  ABS Type Approved and Bureau Veritas Marine Certification for Environmental Category EC31.</li> </ul>
<p>IECEX Certification</p>	<p>IECEX Certified</p>
<p>Regulatory Compliance, Security</p>	<ul style="list-style-type: none"> <li>• Wurdtech Achilles Certification™ Level 1</li> <li>• ISASecure™ Certification, EDSA Level 1</li> </ul>

## FCP280 Environmental Specifications

	Operating	Storage
<b>Temperature</b>	-20 to 60°C (-4 to 140°F) <b>NOTE:</b> Schneider Electric recommends the use of the FCP280 vertically-mounted baseplate (RH924YF) on vertical DIN rails for more efficient cooling of the FCP280.	-40 to +70°C (-40 to +158°F)
<b>Relative Humidity</b>	5 to 95% (Noncondensing)	5 to 95% (Noncondensing)
<b>Altitude</b>	-300 to +3,000 m (-1,000 to +10,000 ft)	-300 to +12,000 m (-1,000 to +40,000 ft)
<b>Contamination</b>	Class G3 (Harsh) as defined in ISA Standard, S71.04. No effect on functionality after simulated 10-year exposure to mixed gas testing per EIA Standard 364-65A, Class III. The FCP280 has Conformal Coating.	
<b>Vibration</b>	0.5 g (5 to 500 Hz)	

The environmental limits of this module may be enhanced by the type of enclosure containing the module. See the applicable Product Specification Sheet (PSS) that describes the specific type of enclosure to be used.

## FCP280 Physical Specifications

Configuration	Single processor module. The fault-tolerant version consists of two processor modules, with an interconnecting fault-tolerant connector integral to the baseplate.
Mounting	<p>May be placed in device specific 2-position baseplates designed for horizontal or vertical mounting — see <a href="#">FCP280 Baseplates</a>, page 14.</p> <p>For the fault-tolerant FCP280, the two modules must be mounted in dedicated slots to allow for interconnecting fault-tolerant communication.</p>
Dimensions: Module	<ul style="list-style-type: none"> <li>• Height: 105 mm (4.13 in) or 116 mm (4.7 in) including mounting lugs</li> <li>• Width: 51.8 mm (2.04 in)</li> <li>• Depth: 147 mm (5.79 in)</li> </ul>
Weight (Maximum)	0.8 kg (1.76 lb) for a single, non-fault-tolerant module.
Part Number	<ul style="list-style-type: none"> <li>• FCP280: RH924YA</li> <li>• FCP280 Horizontal-Mounted Baseplate: RH924YL</li> <li>• FCP280 Vertical-Mounted Baseplate: RH924YF</li> <li>• FCP280 Dual Cable Baseplate: (Horizontal or Vertical mount) RH100JX</li> <li>• Fiber Adapter: RH924WA</li> <li>• Copper Adapter: RH924UQ</li> <li>• Splitter Adapters: <ul style="list-style-type: none"> <li>◦ Twinaxial Fieldbus Splitter: RH928CV</li> <li>◦ Redundant Module Fieldbus Cable Adapter: RH924ZJ - For use when the FCP280 is in the middle of a 200 Series baseplate chain RH928CY - Enables the use of redundant module Fieldbus cables between baseplates to split and terminate the Modular Fieldbus and optional time strobe signals</li> <li>◦ Time Strobe Adapter: RH924ZQ</li> </ul> </li> </ul>
Ethernet Switch to FCP280 Cabling	<p>Cabling Connectors:</p> <ul style="list-style-type: none"> <li>• Fiber Adapter: Two ceramic type LC connectors on one end (for network adapters) with an MT-RJ connector on the other end (for switch)</li> <li>• Copper Adapter: RJ-45 connectors on both ends</li> </ul> <p>Fiber Optic Cable:</p> <ul style="list-style-type: none"> <li>• Cable Material: Multimode fiber (MMF) 62.5/125 µm plenum</li> <li>• Cable Lengths: Up to 50 m (164 ft) – Schneider Electric supplied. See “Network Cabling for FCP280 Network Adapters” in <i>Field Control Processor 280 (FCP280) User’s Guide</i> (B0700FW) for the appropriate specifications of allowed fiber optic cabling. Greater than 50 m – user supplied.</li> </ul>

Field Control Processor 280 (FCP280)

FCP280 Physical Specifications

<p>Ethernet Switch to FCP280 Cabling (continued)</p>	<p>Fiber Optic Cable (continued):</p> <ul style="list-style-type: none"> <li>• Maximum Length: 2 km (6,560 ft) from the Ethernet switch to the FCP280</li> </ul> <p>Copper Cable:</p> <ul style="list-style-type: none"> <li>• Cable Material: 1,000 Base-T Cat 5 copper Ethernet cable</li> <li>• Cable Lengths: Up to 100 m (328 ft) – Schneider Electric supplied. See “Network Cabling for FCP280 Network Adapters” in <i>Field Control Processor 280 (FCP280) User’s Guide (B0700FW)</i> for the appropriate specifications of allowed copper cabling Greater than 100 m – user supplied</li> <li>• Maximum Length: 100 m (328 ft) from the Ethernet switch to the FCP280</li> </ul>
<p>Cabling — 2 Mbps Fieldbus</p>	<ul style="list-style-type: none"> <li>• FCP280 Fieldbus without FCM2Fs: The cable length of each individual Expanded fieldbus cannot exceed 60 m (198 ft)</li> <li>• FCP280 Fieldbus with FCM2Fs: Each FCP/FCM drives a segment of interconnected baseplates of up to 60 m (198 ft). Up to four pairs of FCM2Fxs can be used in each individual fieldbus in the Expanded fieldbus</li> <li>• FCP280 Fieldbus with FBI200: The cable length from the FCP280 to FBI200 is up to 305 m (1,000 ft), and the length from the FBI200 to the last baseplate in the chain is 60 m (198 ft) (this represents the distance for one HDLC fieldbus in the Expanded Fieldbus) For additional FBI200 configurations and restrictions, see <i>FBI200 Fieldbus Isolator/Filter (PSS 41H-2FBI200)</i>.</li> </ul>
<p>Cabling — 268 Kbps Fieldbus<sup>(a)</sup></p>	<p>Maximum Length:</p> <ul style="list-style-type: none"> <li>• To 200 Series FBMs via FBI200: Total length of cabling between FCP280 and FBI200 plus the total length of the 2 Mbps Module Fieldbus (for 200 Series FBMs) - 60 m (198 ft) maximum</li> <li>• To 100 Series FBMs via FBI200: Between FCP280 and FBI200 - 60 m (198 ft) maximum From FBI200s to 100 Series FBMs in last mounting structure - 1,830 m (6000 ft) maximum</li> <li>• To 100 Series FBMs, Direct Connection:             <ul style="list-style-type: none"> <li>◦ 2 Mbps and 268 Kbps Mixed Configurations: From FCP280 to 100 Series FBMs in last mounting structure - 60 m (198 ft) maximum</li> <li>◦ 268 Kbps Only Configurations: From FCP280 to 100 Series FBMs in last mounting structure - 1 Km (3,200 ft) maximum</li> </ul> </li> <li>• Cable: Twinaxial, shielded</li> </ul>
<p>(a) The FCP280 baseplate Fieldbus ports support direct connection to the 268 Kbps fieldbus via the splitter (RH928CV).</p>	

**Figure 10 - FCP280 Dimensions**



## FCP280 Baseplate Functional Specifications

Power Requirements	<ul style="list-style-type: none"> <li>• Input Voltage Range (Redundant): 24 VDC</li> <li>• Power Cabling Cable Lengths: 0.4 m (16 in) up to 2.1 m (7 ft)</li> </ul>
Regulatory Compliance, Electromagnetic Compatibility (EMC)	<ul style="list-style-type: none"> <li>• <i>European EMC Directive 2014/30/EU:</i> Meets: EN 61326-1 Class A Emissions and Industrial Immunity Levels.</li> </ul>
Regulatory Compliance, Product Safety	<ul style="list-style-type: none"> <li>• <i>Underwriters Laboratories (UL) for U.S. and Canada:</i> UL/UL-C listed as suitable for use in Class I, Groups A-D; Division 2; temperature code T4 enclosure based systems. Communications circuits also meet the requirements for Class 2 as defined in Article 725 of the National Electrical Code (NFPA No.70) and Section 16 of the Canadian Electrical Code (CSA C22.1). Conditions for use are as specified in <i>Standard and Compact 200 Series Subsystem User's Guide</i> (B0400FA).</li> <li>• <i>European Low Voltage Directive 2014/35/EU and Explosive Atmospheres (ATEX) Directive 2014/34/EU:</i> ATEX (DEMKO) Ex nA IIC T4 Gc certified when connected as described in the <i>Standard and Compact 200 Series Subsystem User's Guide</i> (B0400FA). For use in an enclosure suited for an ATEX Zone 2 classified area.</li> </ul>
IECEX Certification	IECEX Certified

## FCP280 Baseplate Environmental Specifications

	Operating	Storage
<b>Temperature</b>	-20 to +60°C (-4 to +140°F)	-40 to +70°C (-40 to +158°F)
<b>Relative Humidity</b>	5 to 95% (Noncondensing)	5 to 95% (Noncondensing)
<b>Altitude</b>	-300 to +3,000 m (-1000 to +10,000 ft)	-300 to +12,000 m (-1000 to +40,000 ft)
<b>Contamination (Non-Enclosure Mounted)</b>	Class G3 (Harsh) as defined in ISA Standard S71.04	
<b>Contamination (Enclosure Mounted)</b>	Class G3 (Harsh) as defined in ISA Standard S71.04. Pollution degree 2 as defined in IEC 664-1.	

The environmental limits of the 200 Series baseplates may be enhanced by the type of enclosure containing the 200 Series baseplate. See the applicable Product Specification Sheet (PSS) that describes the specific type of enclosure to be used.

## FCP280 Baseplate Physical Specifications

Mounting	<ul style="list-style-type: none"> <li>• <b>DIN Rail:</b> FCP280 baseplates mount on a non-isolated, mechanically supported vertical DIN rail, which can be internal to, or external to an enclosure. The FCP280 baseplate attaches to the DIN rail by means of fasteners</li> <li>• <b>Rack Mount:</b> A mounting kit (P0930AS) is available for horizontal mounting of the FCP280 baseplate in a standard, 483 mm (19-inch) rack. This kit provides a 25.4 mm (1 inch) mounting depth. <b>NOTE:</b> Mounting kit (P0930AS) is not available for the optional dual cable baseplate.</li> <li>• <b>Dual Cable Baseplate Mount:</b> The optional dual cable baseplate has built-in vertical or horizontal DIN rail mounting supports</li> </ul>
Rack Mounting Bracket	<ul style="list-style-type: none"> <li>• <b>Material:</b> Steel, Cold-Rolled, 0.0598 mm (16 Gauge)</li> </ul>
Mass (Without Modules)	~0.45 kg (1.0 lb)
Size	<ul style="list-style-type: none"> <li>• <b>Height:</b> 120 mm (4.72 in)</li> <li>• <b>Width:</b> 216 mm (8.5 in)</li> <li>• <b>Depth:</b> 27.1 mm (1.07 in)</li> </ul>
Dual Cable Baseplate Size	<ul style="list-style-type: none"> <li>• <b>Height:</b> 150 mm (5.90 in)</li> <li>• <b>Width:</b> 247 mm (9.72 in)</li> <li>• <b>Depth:</b> 31.5 mm (1.24 in)</li> </ul>
Construction	<ul style="list-style-type: none"> <li>• <b>Material:</b> PC and ABS, inflammability UL94 V0</li> <li>• <b>Color:</b> Black</li> </ul>
Modular Fieldbus Cabling	<ul style="list-style-type: none"> <li>• <b>Cable Lengths:</b> 0.125 m (5 in) up to 60 m (198 ft)</li> <li>• <b>Overall Cable Length:</b> 60 m (198 ft) total allowable cable length</li> </ul>

## Related Documents

Document Number	Description
PSS 41H-2SOV	<i>Standard 200 Series Subsystem Overview</i>
PSS 41H-2W100	<i>100 Series Fieldbus Module Upgrade Subsystem Overview</i>
PSS 41H-2CERTS	<i>Standard and Compact 200 Series I/O - Agency Certifications</i>
PSS 41H-2FPS400	<i>Standard 200 Series Power Supply</i>
PSS 41H-2W4	<i>Termination Assembly Adapter Modules for 100 Series Upgrade</i>
PSS 41H-2SBASPLT	<i>Standard 200 Series Baseplates</i>
PSS 41H-2FPS	<i>Standard 200 Series Power Supplies - FPS240-24 and FPS120-24</i>
PSS 41H-2W8	<i>100 Series Conversion Mounting Structures</i>
PSS 41H-2COV	<i>Compact 200 Series I/O Subsystem Overview</i>
PSS 41H-2CERTS	<i>EcoStruxure Foxboro DCS Standard and Compact 200 Series I/O - Agency Certifications</i>
PSS 41H-2C480	<i>Compact Power Supply - FPS480-24</i>
PSS 31H-2Y6	<i>Intrinsically Safe I/O System</i>
PSS 41H-2Y17	<i>FBI200A Fieldbus Isolator/Filter</i>
PSS 41H-2FBI200	<i>FBI200 Fieldbus Isolator/Filter</i>
PSS 41H-2GOV	<i>G-Series Enclosures Overview</i>
PSS 41H-7NWEQUIP	<i>The Foxboro DCS Control Network Ethernet Equipment</i>
PSS 41S-1TIME	<i>Time Synchronization Overview</i>
PSS 41S-3FCPICS	<i>Field Control Processor 280 (FCP280) Integrated Control Software</i>
B0700FY	<i>Field Control Processor 280 (FCP280) Sizing Guidelines and Excel Workbook</i>
B0700FW	<i>Field Control Processor 280 (FCP280) User's Guide</i>
B0400FA	<i>Standard and Compact 200 Series Subsystem User's Guide</i>

## Proposition 65



**WARNING:** This product can expose you to chemicals including lead and lead compounds, which are known to the State of California to cause cancer and birth defects or other reproductive harm. For more information go to [www.P65Warnings.ca.gov](http://www.P65Warnings.ca.gov).

Schneider Electric Systems USA, Inc.  
70 Mechanic Street  
Foxboro, Massachusetts 02035-2040  
United States of America

Global Customer Support: <https://pasupport.se.com>

As standards, specifications, and design change from time to time,  
please ask for confirmation of the information given in this publication.

© 2012–2025 Schneider Electric. All rights reserved.

PSS 41H-1FCP280, Rev. F

# CONTACT US & SUPPORT

NEED A QUOTE OR TECHNICAL PARTS REPLACEMENT?

**Company:** [PLC ProTech Ltd.](#)  
**Website:** [www.plcprotech.com](http://www.plcprotech.com)  
**Email:** [sales@plcprotech.com](mailto:sales@plcprotech.com)  
**Phone:** +86 180 4631 7198

## Our Service Guarantee:

- 100% Brand New Original & Factory Sealed Components
- 12-Month Quality Warranty on All Industrial Parts
- Worldwide Same-Day Fast Dispatch via DHL / FedEx

[SUBMIT ONLINE RFQ \(REQUEST FOR QUOTE\) >>](#)

[About Us](#) · [Contact](#) · [All Products](#)